

**No Lead Wall Mount Water Cooler
Vandal-Resistant, Barrier-Free Access
Model OBF AVR8**



SPECIFICATIONS

GENERAL

Self-contained, wall hung electric refrigerated, water cooler. Vandal-resistant unit for use in high demand locations where vandalism may occur. Rated for indoor or outdoor use.

Stainless steel construction provides vandal-resistant enclosure. Perforated stainless steel louver screening prevents objects from being inserted into cooler. Patented valve with built-in flow regulator provide constant stream from 20 to 105 psi (138 to 724 KPa) water pressure. Heavy duty push button control is vandal-resistant.

Non-pressurized cooling tank is standard. Non-pressurized water tank is located after bubbler valve, so that tank is subject to line pressure only when push button is pressed.

THIS WATER COOLER COMPLIES WITH THE REQUIREMENTS OF A.D.A. (AMERICANS WITH DISABILITIES ACT) WHEN PROPERLY INSTALLED.

NO LEAD DESIGN

THIS WATER COOLER COMPLIES WITH THE LEAD-FREE DEFINITION IN THE SAFE DRINKING WATER ACT OF 1986 AND LEAD CONTAMINATION CONTROL ACT OF 1988.

Elkay Water Coolers are manufactured with a waterway system utilizing copper components and completely lead-free materials. These waterways have no lead because all lead materials, such as leaded brass, have been removed. All joints are brazed using silver solder only. No lead solder is permitted. A strainer with an easily cleanable screen is provided to allow trapping and convenient removal of water born particulate of 140 microns and larger prior to their entry into the water cooler.

CAPACITIES CHART

Model Number	Volt/ Hertz	Base Rate	*GPH of 50°F Drinking Water			Rated Watts	Full Load Amps	Comp. HP	Glass Filler Option	Pre-Cooler	Ship. Wt. Lbs. (Kg.)
			Room Temperature °F								
			70°F (21°C)	80°F (27°C)	90°F (32°C)						
OBF AVR81	115V/ 60hz	8.0 (30.3)	9.6 (36.3)	8.8 (33.3)	8.0 (30.3)	325	3.7	1/5	No	No	74 (34)
OBF AVR82	230V/ 50hz	6.8 (25.7)	8.2 (30.9)	7.5 (28.3)	6.8 (25.7)	325	1.9	1/5	No	No	74 (34)

*Based on 80°F (27°C) inlet water temperature. Rated watts shown are based on operational (run) time, in accordance with A.R.I. Standard 1010 conditions. Specific applications will determine the actual watts consumed per hour. Watts consumed will be based on number of people served per hour (usage), ambient temperatures, and inlet water temperature.

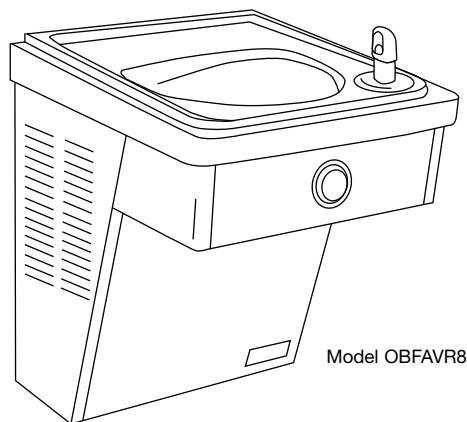
COOLING SYSTEM

Motor Compressor: Hermetically sealed, reciprocating type, 115 Volt/60 Hz or 230 Volt/50 Hz, single phase. Sealed-in lifetime oil supply. Equipped with electric cord and three prong molded rubber plug.

Condenser: Fan cooled, copper tube with aluminum fins. Fan motor is permanently lubricated.

Cooling Unit: Combination tube-tank type. Tube portion is continuous coil of copper tubing. Fully insulated with EPS foam which meets Underwriters Laboratories Inc. requirements for self extinguishing material.

Refrigerant Control: Refrigerant HFC-134a is controlled by accurately calibrated capillary tube for positively trouble-free operation.



Model OBF AVR8

Temperature Control: Enclosed adjustable thermostat is factory preset. Requires no adjustment other than for altitude requirements. Easily accessible.

CONSTRUCTION

Frame: Galvanized structural steel chassis supports fountain top and cabinet panels.

Fountain Top: Type 304 one piece stainless steel top, polished to a uniform Elkay bright luster finish. Basin has integral drain grid, embossed bubbler pad.

Vandal-Resistant Bubbler: Heavy duty, one piece construction. Keyed into position to prevent rotation. Meets UL requirements and all sanitary codes.

Cabinet: Cabinet design allows for flush to wall mounting. No recess space is required. Includes bottom cover plate fastened with vandal-resistant screws.

Color Selection: Stainless steel furnished as standard.

ALSO AVAILABLE

MODEL OBF AVRFR8: Same as model above, includes frost resistant heating element. Tested to 32°F (0°C) with no wind. Specify for areas where the temperature will occasionally drop to freezing for a short period of time.

5 YEAR LIMITED WARRANTY on the refrigeration system of the unit. Electrical components and water system are warranted for 12 months from date of installation. Sample Certificate available on request.

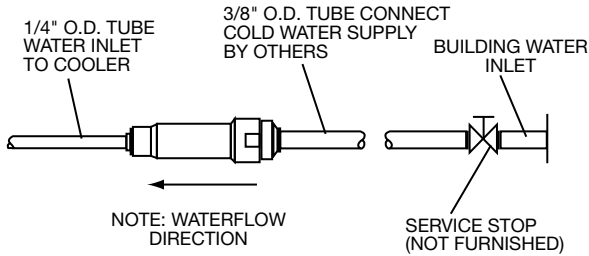
Elkay Pressure-Type Water Coolers are designed to operate on 20 psi (138 KPa) to 105 psi (724 KPa) supply line pressure. If inlet pressure is above 105 psi (724 KPa), a pressure regulator must be installed in the supply line. Any damage caused by reason of connecting this product to supply line pressures lower than 20 psi (138 KPa) or higher than 105 psi (724 KPa) is not covered by the warranty.

Note: In keeping with our policy of continuing product improvement, Elkay reserves the right to change materials, design and specifications without notice.

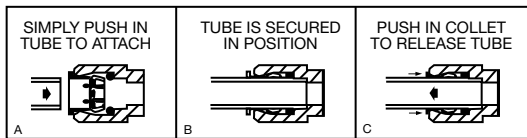
Elkay Electric Air Cooled Water Coolers are listed by Underwriters Laboratories Inc., approved by C.S.A., rated in accordance with A.R.I. Standard 1010 and meet all known federal and state plumbing codes.



ROUGH-IN DIMENSIONS



OPERATION OF QUICK CONNECT FITTINGS



PUSHING TUBE IN BEFORE PULLING IT OUT HELPS TO RELEASE TUBE

Open space rough-in design permits new installation or replacement of existing fountains and coolers with this Elkay cooler when rough-in is within the outline shown. The location available is from 14-3/4" to 30-1/4" from floor when cooler is mounted as shown, and from 1-3/8" to 7-7/8", left of centerline, additional area is available at upper right as shown, however, direct access forward from wall is restricted and should only be considered for use until after an examination of the cooler has been made.

IMPORTANT!
INSTALLER PLEASE NOTE:

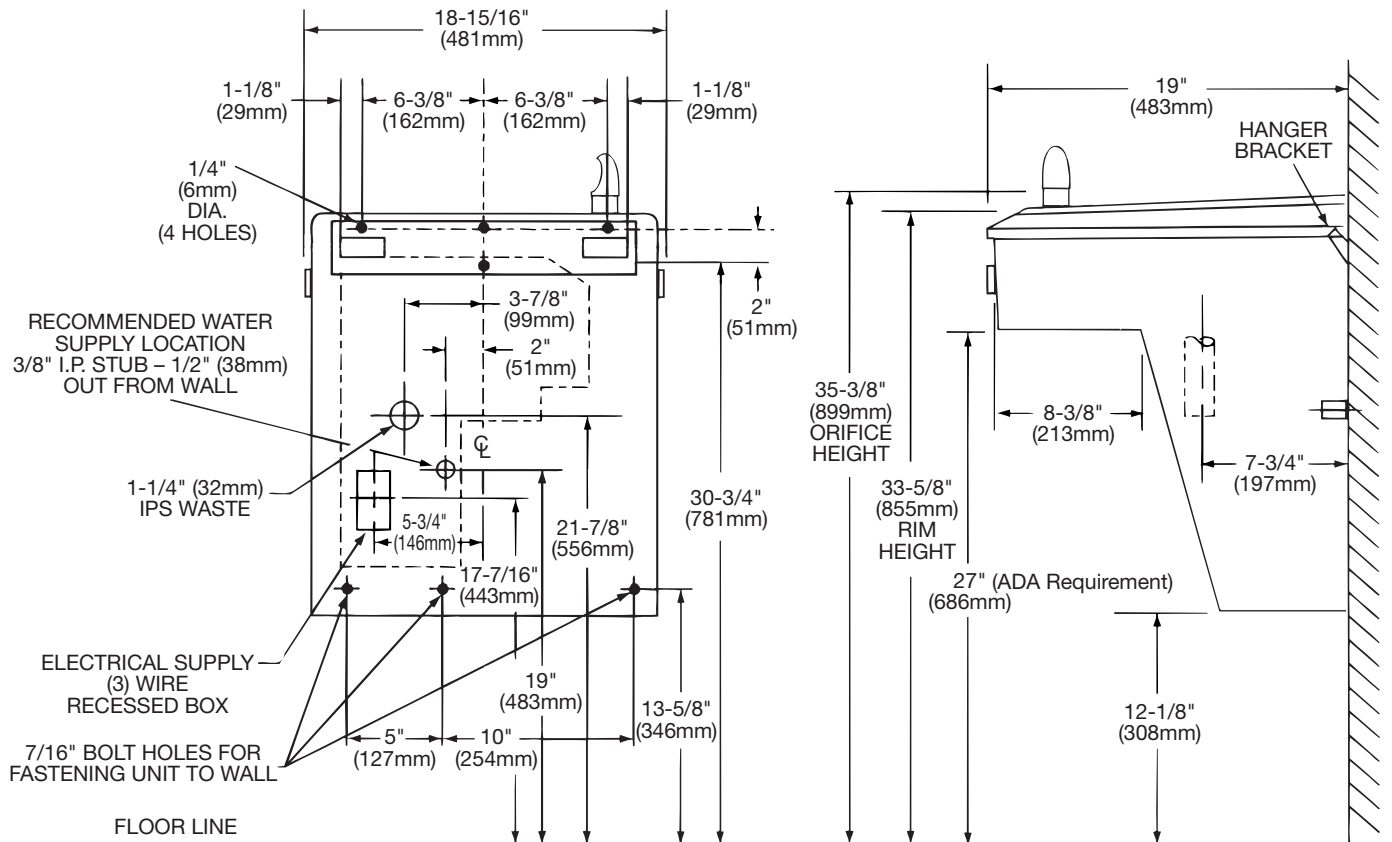
This water cooler has been designed and built to provide water to the user which has not been altered by materials in the cooler waterways.

The grounding of electrical equipment such as telephone, computers, etc., to water lines is a common procedure. This grounding may be in the building but may also occur away from the building. This grounding can cause electrical feedback into a water cooler creating an electrolysis which creates a metallic taste or causes an increase in the metal content of the water. This condition is avoidable by installing the cooler using the proper materials as shown below.

NOTICE

This water cooler must be connected to the water supply using a dielectric coupling. The cooler is furnished with a non-metallic strainer which meets this requirement.

The drain trap which is provided by the installer should also be plastic to completely isolate the cooler from the building plumbing system.



NOTE: A service supply stop should be installed at the cooler inlet tube.

NOTE: INSURE PROPER VENTILATION BY MAINTAINING 6" (152mm) CLEARANCE FROM CABINET LOUVERS TO WALL ON EACH SIDE OF COOLER.