

**Pacemaker® Double Bowl Sink**  
**20 Gauge, Type 302, Self Rim**  
**Model PSR Series**



**SPECIFICATIONS**

**GENERAL**

Fine quality Pacemaker double bowl hospitality sink is seamlessly drawn of #20 gauge, type 302 (18-8) nickel bearing stainless steel. Self-rimming.

**DESIGN FEATURES**


Bowl Depth: 7-1/4", 7-1/2" (PSR-3321).  
 Coved Corners: 1-3/4".  
 Bowl and Faucet Deck Recess: 3/16" drop ledge.  
 Finish: Exposed surfaces are polished to a lustrous, highlighted bright satin finish.  
 Underside: Fully undercoated to prevent condensation and deaden sound. PSR-3321 underside is fully protected by heavy duty Sound Guard undercoating.

**OTHER**

Drain opening: 3-1/2".  
 Faucet Holes: Available with 0, 1, 2, 3, 4 or 5 1-1/2" diameter faucet holes 4" centers.  
 NOTE: Unless otherwise specified, sink is furnished with four faucet holes.  
 Complies with ANSI Standard A112.19.3.

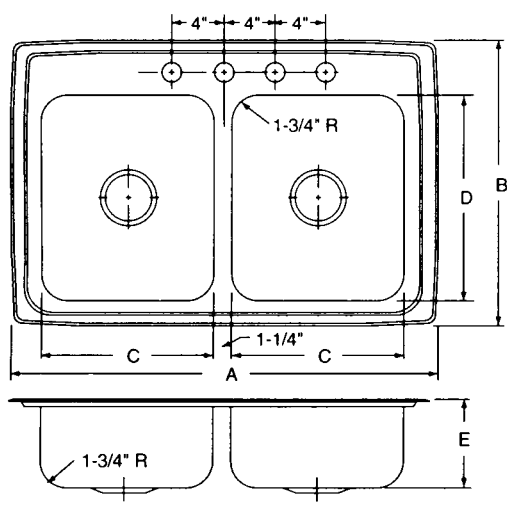


Model PSR-3321-4 Shown

 These sinks are listed by the International Association of Plumbing and Mechanical Officials as meeting the requirements of the Uniform Plumbing Code.

**SINK DIMENSIONS**

Model Number	DIMENSIONS IN INCHES Length is left to right. Width is front to back.					Cutout In Countertop (1 1/2" Radius Corners)		Ship. Wt. Lbs.
	Overall		Inside Each Bowl			L	W	
	L	W	L	W	D			
PSR-3319	33	19 1/2	14	14	7 1/4	32 3/8	18 7/8	16
PSR-3321	33	21 1/4	13 1/2	16	7 1/2	32 3/8	20 5/8	17
PSR-4322	43	22	19	16	7 1/4	42 3/8	21 3/8	20



Model PSR-3321-4 Illustrated

ALL DIMENSIONS IN INCHES. TO CONVERT TO MILLIMETERS MULTIPLY BY 25.4.

*In keeping with our policy of continuing product improvement, Elkay reserves the right to change product specifications without notice.*

*This specification describes an Elkay product with design, quality and functional benefits to the user. When making a comparison of other producers' offerings, be certain these features are not overlooked.*