

SPECIFICATIONS IN INCHES

GENERAL

Model No. SS-_____ #14 gauge, Type 304, stainless steel scullery sink. Compartments 14" deep. Square corner welded construction. Full length 8" high backsplash with 45° sloped top. 1-1/2" wide sloping top channel rims. Integral drainboard/s, sink compartments pitched to drain. Exposed surfaces polished to a satin finish.

Sinks supported on (4) LK-251 stainless steel, 1-5/8" O.D. tubular legs, #16 gauge wall thickness. Adjustable bullet shaped feet.

Shaded areas are models carried in stock with standard faucet location.

Non-shaded areas with specified dimensions are standard models which must be made to order—standard faucet location unless otherwise specified.

Last item in each group is custom. Fill in dimensions. Standard faucet location unless otherwise specified.

Drainboards over 25-1/2" furnished with one tubular leg.

Drainboards over 48" furnished with two tubular legs.

SPECIFIED FITTINGS:

SUPPLY:

DRAIN:

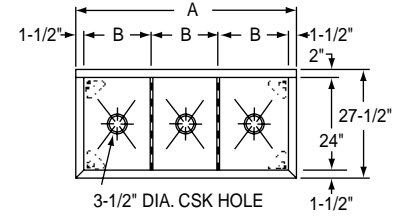
FURNISHED WITH:

LK-251. (Four) Stainless steel tubular legs, 1-5/8" O.D., #16 gauge. Adjustable bullet feet.

(CHECK MODEL SPECIFIED):

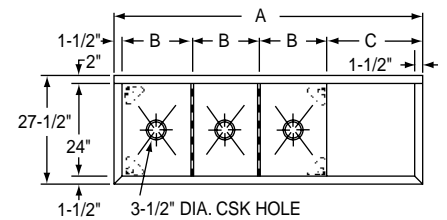
NO DRAINBOARD

Model Number	Dimensions	
	A	B
SS-8345	48	15
SS-8354	57	18
SS-8360	63	20
SS-8372	75	24
•SSC-8300		



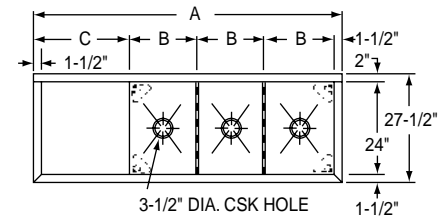
RIGHT DRAINBOARD

Model Number	Dimensions		
	A	B	C
SS-8345-R	70½	15	24
SS-8354-R	79½	18	24
SS-8372-R	97½	24	24
•SSC-8300-R			



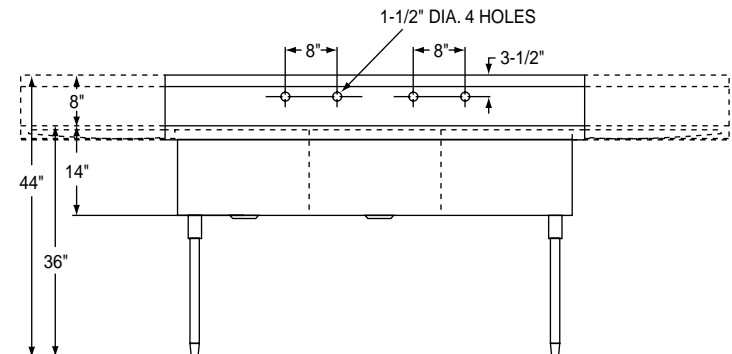
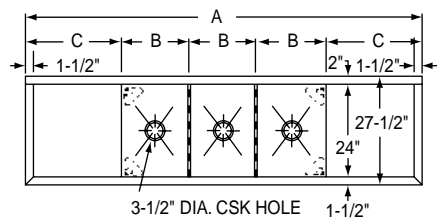
LEFT DRAINBOARD

Model Number	Dimensions		
	A	B	C
SS-8345-L	70½	15	24
SS-8354-L	79½	18	24
SS-8372-L	97½	24	24
•SSC-8300-L			



RIGHT & LEFT DRAINBOARD

Model Number	Dimensions		
	A	B	C
SS-8345-LR	93	15	24
SS-8354-LR	102	18	24
SS-8360-LR	108	20	24
SS-8372-LR	120	24	24
•SSC-8300-LR			



FAUCET DRILLINGS AND LOCATION STANDARD AS ILLUSTRATED (NON-STANDARD FAUCET AND OVERFLOW DRILLING LOCATIONS ARE AVAILABLE. SPECIFY ON DRAWING ABOVE.)

ALL DIMENSIONS IN INCHES.
SEE OTHER SIDE FOR DIMENSIONS IN MILLIMETERS.

SPECIFICATIONS IN MILLIMETERS

GENERAL

Model No. SS- _____ #14 gauge, Type 304, stainless steel scullery sink. Compartments 356mm deep. Square corner welded construction. Full length 203mm high backsplash with 45° sloped top. 38mm wide sloping top channel rims. Integral drainboard/s, sink compartments pitched to drain. Exposed surfaces polished to a satin finish.

Sinks supported on (4) LK-251 stainless steel, 41mm O.D. tubular legs, #16 gauge wall thickness. Adjustable bullet shaped feet.

Shaded areas are models carried in stock with standard faucet location.

Non-shaded areas with specified dimensions are standard models which must be made to order—standard faucet location unless otherwise specified.

Last item in each group is custom. Fill in dimensions. Standard faucet location unless otherwise specified.

Drainboards over 648mm furnished with one tubular leg.

Drainboards over 1,219mm furnished with two tubular legs.

SPECIFIED FITTINGS:

SUPPLY:

DRAIN:

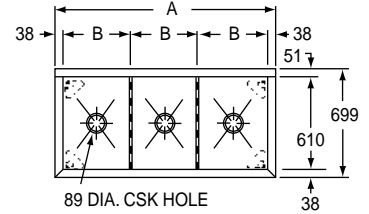
FURNISHED WITH:

LK-251. (Four) Stainless steel tubular legs, 41mm O.D., #16 gauge. Adjustable bullet feet.

(CHECK MODEL SPECIFIED):

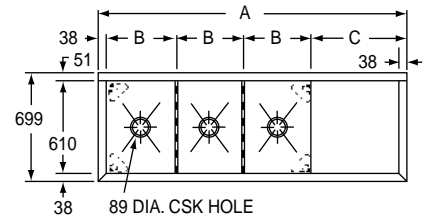
NO DRAINBOARD

Model Number	Dimensions	
	A	B
SS-8345	1219	381
SS-8354	1448	457
SS-8360	1600	508
SS-8372	1905	610
•SSC-8300		



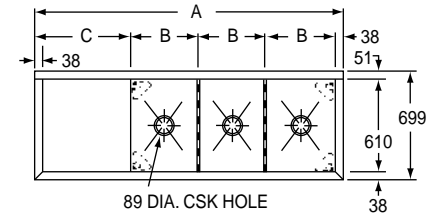
RIGHT DRAINBOARD

Model Number	Dimensions		
	A	B	C
SS-8345-R	1791	381	610
SS-8354-R	2019	457	610
SS-8372-R	2477	610	610
•SSC-8300-R			



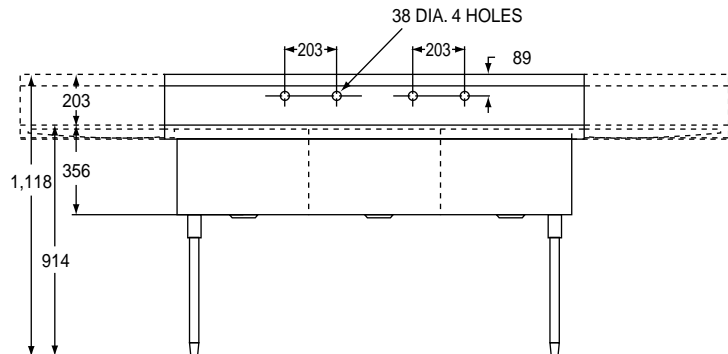
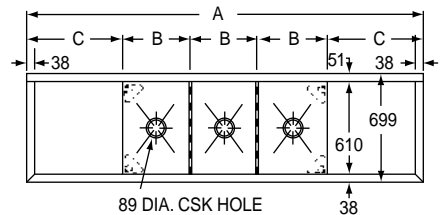
LEFT DRAINBOARD

Model Number	Dimensions		
	A	B	C
SS-8345-L	1791	381	610
SS-8354-L	2019	457	610
SS-8372-L	2477	610	610
•SSC-8300-L			



RIGHT & LEFT DRAINBOARD

Model Number	Dimensions		
	A	B	C
SS-8345-LR	2362	381	610
SS-8354-LR	2591	457	610
SS-8360-LR	2743	508	610
SS-8372-LR	3048	610	610
•SSC-8300-LR			



FAUCET DRILLINGS AND LOCATION STANDARD AS ILLUSTRATED (NON-STANDARD FAUCET AND OVERFLOW DRILLING LOCATIONS ARE AVAILABLE. SPECIFY ON DRAWING ABOVE.)

ALL DIMENSIONS IN MILLIMETERS.
SEE OTHER SIDE FOR DIMENSIONS IN INCHES.