

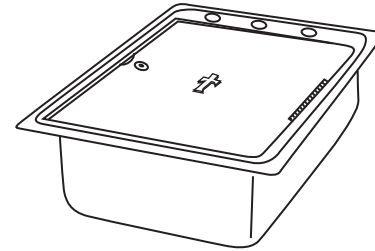
Lustertone® Sacristy/Sacrarium Sinks
Single and Double Bowls
Self-Rim, Drop-In Models



SPECIFICATIONS

GENERAL

Highest quality Lustertone self-rimming sacristy sink seamlessly drawn of #18 gauge, type 304 stainless steel. Underside of sink is fully undercoated to dampen sound and prevent condensation. Exposed surfaces are hand blended to a highlighted lustrous satin finish. 1-3/4" radius coved corners. Specify single or double bowl (see other side) model with one #16 gauge stainless steel hinged cover with cross, a cylinder lock with 2 keys. Drain opening is 3-1/2" and centered in bowl. Available in 1, 2 or 3 hole models. Custom made to order.



SINGLE BOWL MODELS

SINK DIMENSIONS (INCHES)*

Specify One:	Overall		Inside Bowl			Cutout in Countertop (1 1/2" Radius Corners)		No. of 1 1/2" Dia. Faucet Holes 4" Centers
	L	W	L	W	D	L	W	
	A	B	C	D	E	L	W	
	15	17 1/2	12	12	7 1/2	14 3/8	16 7/8	1, 2 or 3
	15	22	11 1/2	16	7 1/2	14 3/8	21 3/8	1, 2 or 3
	17	16	14	10	7 1/2	16 3/8	15 3/8	1, 2 or 3
	17	20	14	14	7 1/2	16 3/8	19 3/8	1, 2 or 3
	17	22	13 1/2	16	7 1/2	16 3/8	21 3/8	1, 2 or 3
	19	18	16	11 1/2	7 1/2	18 3/8	17 3/8	1, 2 or 3
	19 1/2	19	16	13 1/2	7 1/2	18 7/8	18 3/8	1, 2 or 3
	19 1/2	22	16	16	7 1/2	18 7/8	21 3/8	1, 2 or 3
	22	19 1/2	18	14	7 1/2	21 3/8	18 7/8	1, 2 or 3
	22	22	19	16	7 1/2	21 3/8	21 3/8	1, 2 or 3
	25	21 1/4	21	15 3/4	8	24 3/8	20 5/8	1, 2 or 3
	25	22	21	15 3/4	8	24 3/8	21 3/8	1, 2 or 3

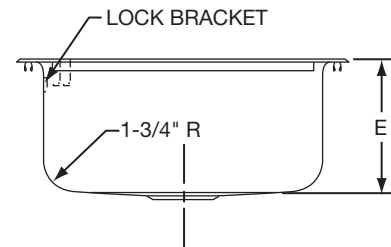
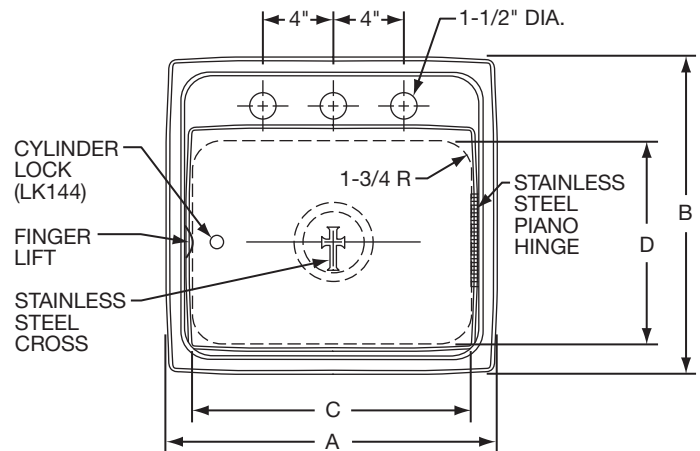
*Length is left to right. Width is front to back.

Must specify one:

- Hinge on right side
- Hinge on left side
- Hinge on back side (no faucet holes supplied)

Must specify one:

- 1 hole centered
- 2 holes 4" centers
- 3 holes 4" centers
- Other (please specify): _____



ALL DIMENSIONS IN INCHES, TO CONVERT TO MILLIMETERS MULTIPLY BY 25.4.

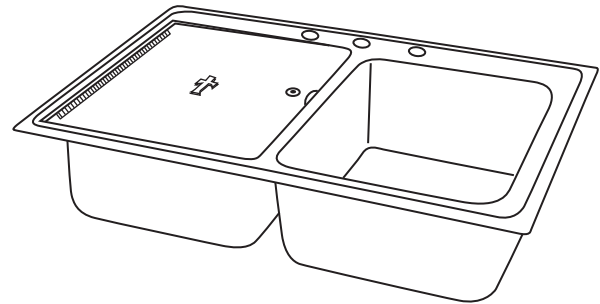
In keeping with our policy of continuing product improvement, Elkay reserves the right to change product specifications without notice.

This specification describes an Elkay product with design, quality and functional benefits to the user. When making a comparison of other producers' offerings, be certain these features are not overlooked.

SPECIFICATIONS

GENERAL

Highest quality Lustertone self-rimming sacristy sink seamlessly drawn of #18 gauge, type 304 stainless steel. Underside of sink is fully undercoated to dampen sound and prevent condensation. Exposed surfaces are hand blended to a highlighted lustrous satin finish. 1-3/4" radius coved corners. Specify single (see other side) or double bowl model with one #16 gauge stainless steel hinged cover with cross, a cylinder lock with 2 keys. Drain opening is 3-1/2" and centered in bowl. Available in 1, 2 or 3 hole models. Custom made to order.



DOUBLE BOWL MODELS

SINK DIMENSIONS (INCHES)*

Specify One:	Overall		Inside Each Bowl			Cutout in Countertop (1 1/2" Radius Corners)		No. of 1 1/2" Dia. Faucet Holes 4" Centers
	L	W	L	W	D	L	W	
	A	B	C	D	E	L	W	
	29	18	12	12	7 1/2	28 3/8	17 3/8	1, 2 or 3
	29	22	11 1/2	16	7 1/2	28 3/8	21 3/8	1, 2 or 3
	33	19 1/2	14	14	7 1/2	32 3/8	18 7/8	1, 2 or 3
	33	21 1/4	13 1/2	16	8	32 3/8	20 5/8	1, 2 or 3
	33	22	13 1/2	16	8	32 3/8	21 3/8	1, 2 or 3
	37	22	16	16	7 1/2	36 3/8	21 3/8	1, 2 or 3
	43	22	19	16	7 1/2	42 3/8	21 3/8	1, 2 or 3

*Length is left to right. Width is front to back.

Must specify one:

- Hinge on right side of right bowl
- Hinge on left side of left bowl
- Hinge on back side of right bowl (faucet holes centered behind left bowl)
- Hinge on back side of left bowl (faucet holes centered behind right bowl)

Must specify one:

- 1 hole centered
- 2 holes 4" centers
- 3 holes 4" centers
- Other (please specify): _____

