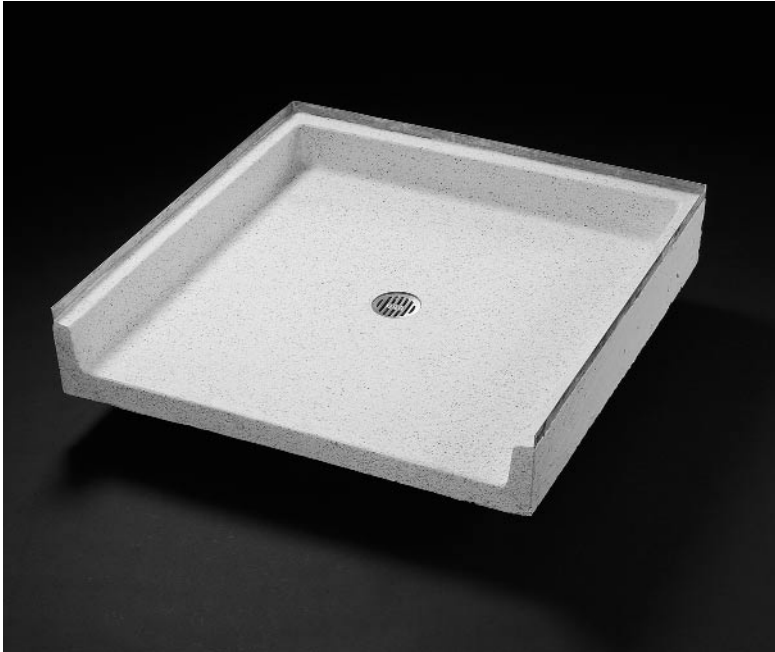


TERRAZZO SHOWER RECEPTOR

ADAT-3636
ADAT-6030
ADAT-6036



Wheelchair Receptors

FEATURES

NOMINAL SIZES: 36" x 36", 60" x 30", 60" x 36"

• **GENERAL:**

Terrazzo shower floor shall be one piece fabricated from precast Terrazzo as manufactured by Fiat Products, and shall be made of black and white marble chips cast in white portland cement to produce a compressive strength of not less than 3000 P.S.I., seven days after casting. Terrazzo surface shall be ground and polished with all air holes and/or pits to be grouted and excess removed. For wheelchair accessibility complying with the requirements of Americans with Disabilities Act -1992. Shoulder shall be not less than 4" high inside, 6" high outside and not less than 1/2" wide. Tiling flange, cast integral shall be of galvanized, bonderized steel and shall extend not less than 1" above shoulder. Drain body shall be IAPMO approved stainless steel, cast integral and shall provide for a caulked lead connection not less than 1" deep, to a 2" pipe, or a quick drain connection using a QDC-4 connector and shall include a removable stainless steel or brass strainer plate. The ADAT models do not require a floor drain at the entrance of the shower. All water from the showerhead is directed to the integral shower drain.

NOTES

- Establish 1/4" clearance between shower floor and wall. It is required that the entire area between the receptor and the building floor have a layer of mortar in order that shower floors be level.
- It is recommended that a floor drain be installed at the entrance of the shower.
- All models comply with Americans With Disabilities Act and A117.1 handicapped standards.

OPTIONS

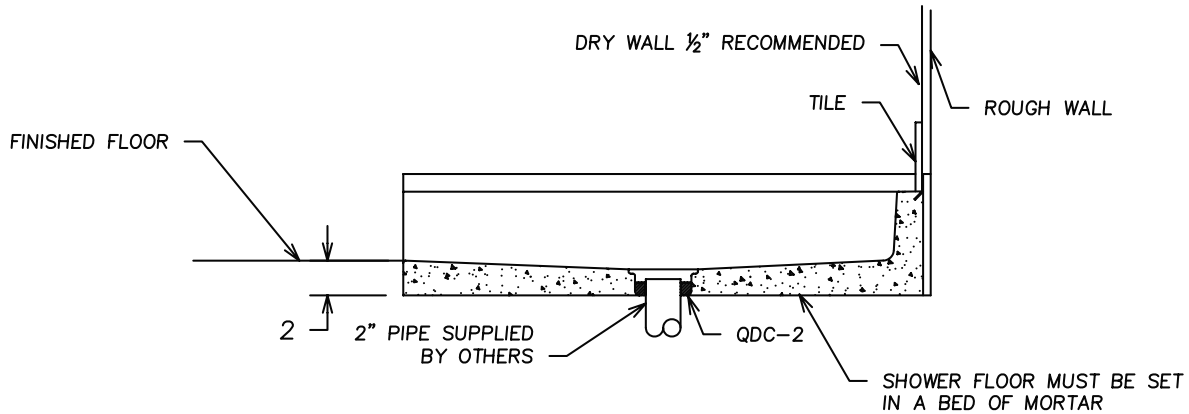
- **Brass strainer plate.**



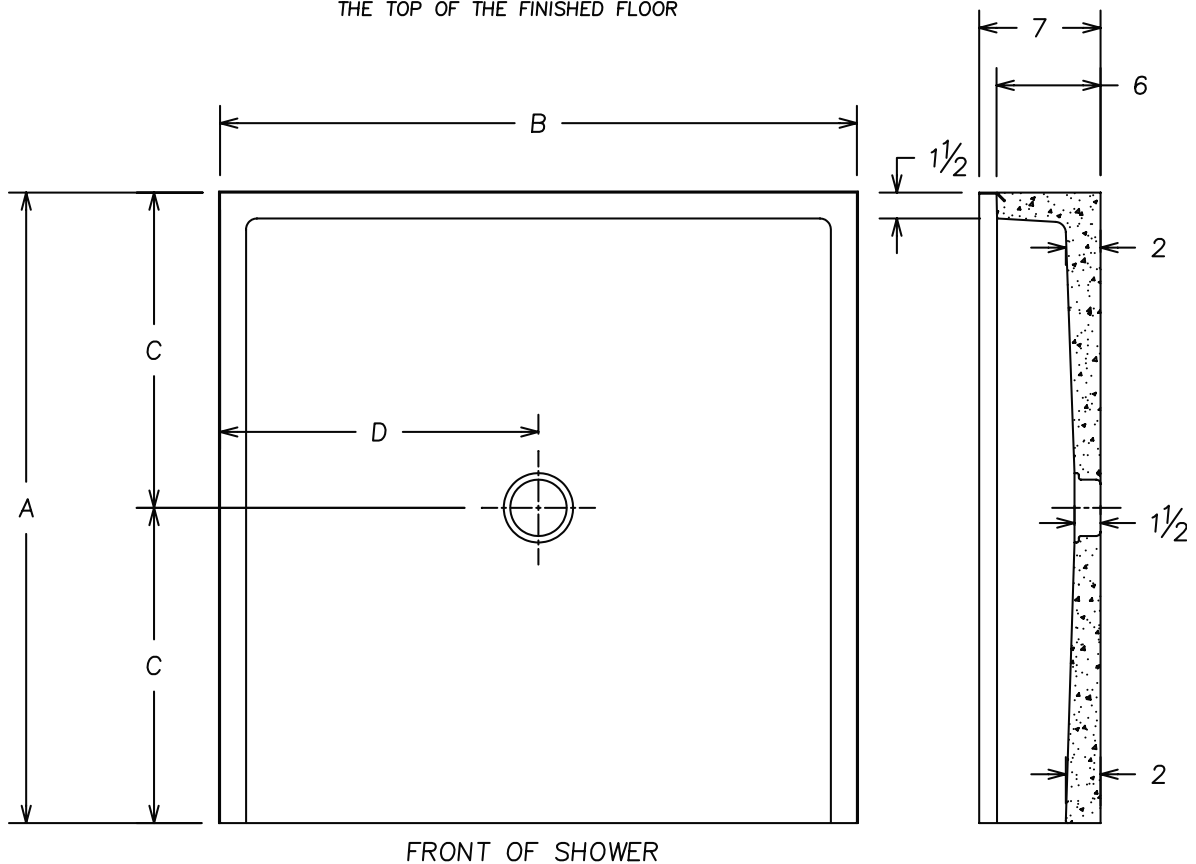
FIAT PRODUCTS[®]
A CRANE PLUMBING COMPANY

TERRAZZO SHOWER

ADAT-3636
ADAT-6036
ADAT-6030



NOTE: FLOOR MUST BE SET 2" DEEP FROM THE TOP OF THE FINISHED FLOOR



	A	B	C	D
ADAT 3636	36 ³ / ₈	36 ³ / ₄	18 ³ / ₁₆	18 ³ / ₈
ADAT 6030	30 ³ / ₈	60 ³ / ₄	15 ³ / ₁₆	30 ³ / ₈
ADAT 6036	36 ³ / ₈	60 ³ / ₄	18 ³ / ₁₆	30 ³ / ₈

Note: Installer must finish walls to ADA and A117.1 standard dimensions for compliance to the above standards.



IMPORTANT: Roughing-in dimensions may vary 1/2" and are subject to change or cancellation without prior notice.