



## FEATURES

- **WHEELCHAIR RECEPTORS:**

*Terrazzo shower floor shall be one piece fabricated from precast Terrazzo as manufactured by Fiat Products, and shall be made of black and white marble chips cast in white portland cement to produce a compressive strength of not less than 3000 P.S.I., seven days after casting. Terrazzo surface shall be ground and polished with all airholes and/or pits to be grouted and excess removed. For wheelchair accessibility complying with the requirements of Americans with Disabilities Act and CABO/ANSI A117.1. Shoulder shall be not less than 4" high inside, 6" high outside and not less than 1½" wide. Tiling flange, cast integral shall be of galvanized, bonderized steel and shall extend not less than 1" above shoulder.*

- **DRAIN:**

*Drain body shall be IAPMO approved stainless steel, cast integral and shall provide for a caulked lead connection not less than 1" deep, to a 2" pipe, or a quick drain connection using a QDC-4 connector and shall include a removable stainless steel strainer plate. The ADAW models require a floor drain at the entrance of the shower.*

- **APPROVALS:**

*All models comply with Americans With Disabilities Act and A117.1 handicapped standards.*

## NOTES

- *Establish 1/4" clearance between shower floor and wall. It is required that the entire area between the receptor and the building floor have a layer of mortar in order that shower floors be level.*
- *It is recommended that a floor drain be installed at the entrance of the shower.*
- *All models comply with Americans With Disabilities Act and A117.1 handicapped standards.*
- *This model also comes in nominal sizes.*

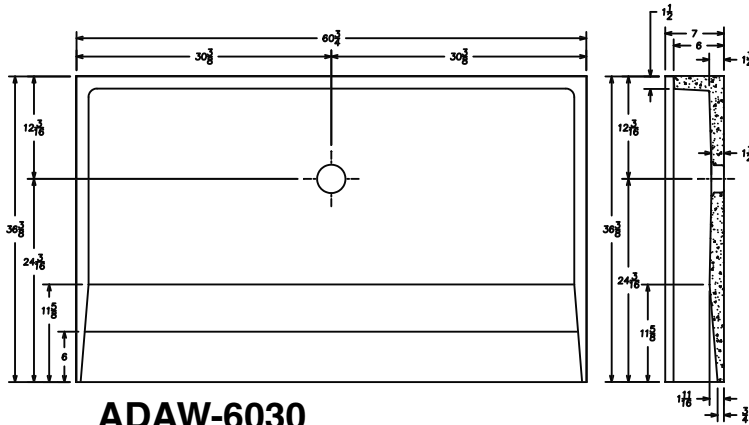
## OPTIONS

- **Brass strainer plate.**

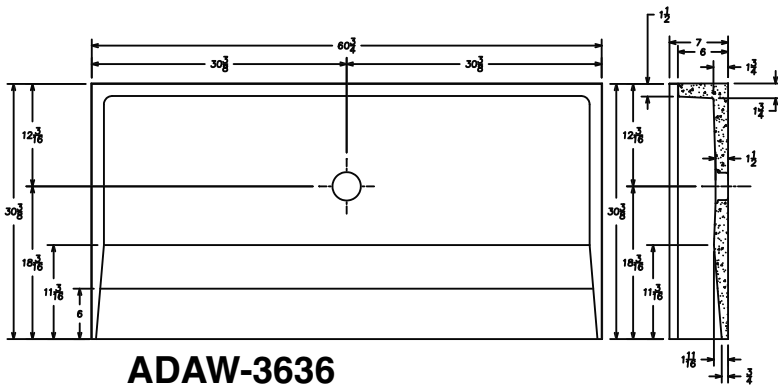




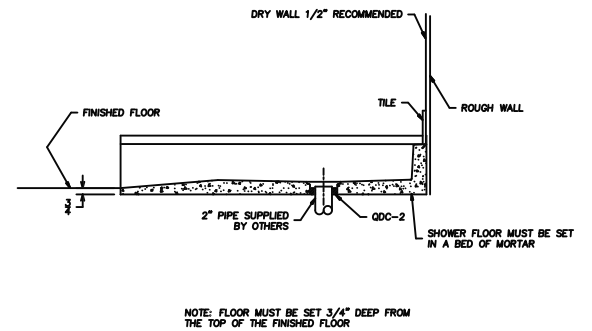
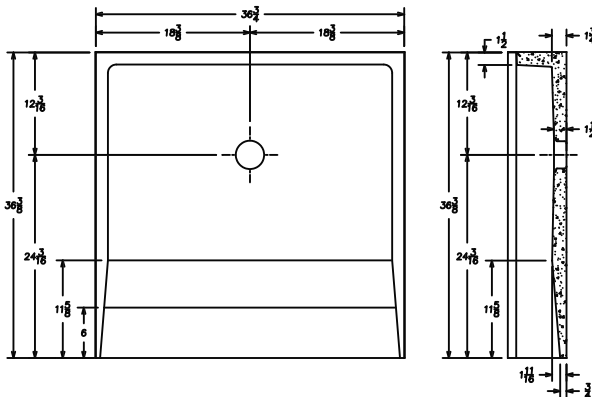
### ADAW-6036



### ADAW-6030



### ADAW-3636



#### INSTALLATION:

Establish 1/4" clearance between shower floor and wall. It is required that the entire area between the receptor and the building floor have a layer of mortar in order that shower floors be level.

Note: Installer must finish walls to ADA and A117.1 standard dimensions for compliance to the above standards.



**FIAT PRODUCTS**  
A CRANE PLUMBING COMPANY