

MOLDED-STONE® LAUNDRY TUBS

L-1 / FL-1



Molded-Stone® Serv-A-Sink® Single Compartment Laundry Tubs

FEATURES

- **L-1 Wall Hung Serv-A-Sink®**

Model L-1 Single Tub is furnished with and supported by a mounting bracket of heavy gauge galvanized steel capable of being secured to the wall with mechanical fasteners.

Model L-1 has overall outside dimensions of 23" x 21 1/2" x 13 7/16", and inside compartment dimensions of 20 1/4" x 17 1/4" x 13".

- **FL-1 Floor Mounted Serv-A-Sink®**

Model FL-1 Single Tub is furnished with and supported by white baked enamel steel angle legs that slip into molded retainers and/or sockets for rigid friction fit. Legs are supplied with leveling devices. Model FL-1 has an integral drain and is available in 4" centers which are field drilled.

Model FL-1 shall have overall outside dimensions of 23" x 21 1/2" x 13 7/16", and inside compartment dimensions of 20 1/4" x 17 1/4" x 13".

NOTES

OPTIONS

- Deck type faucet (4" center set) with 6 3/4" spout. (A-1)
- Overflow pipe with "O" ring to fit 1 1/2" strainer. (A-2)
- Polypropylene faucet block, 5 1/8" x 1 1/2" x 1 1/4" for installing clamp-on or integral clamp faucets to deck to accept overhead water supplies. (A-3)
- MOLDED-STONE® Serv-A-Sink® cover with integrally molded contoured hand grip. White color is standard. (A-6)
- Faucet for top supplies. Clamps on with swing spout and angled nose end. (A-17)
- Deck type faucet (8" center set) with spout. (A-18)



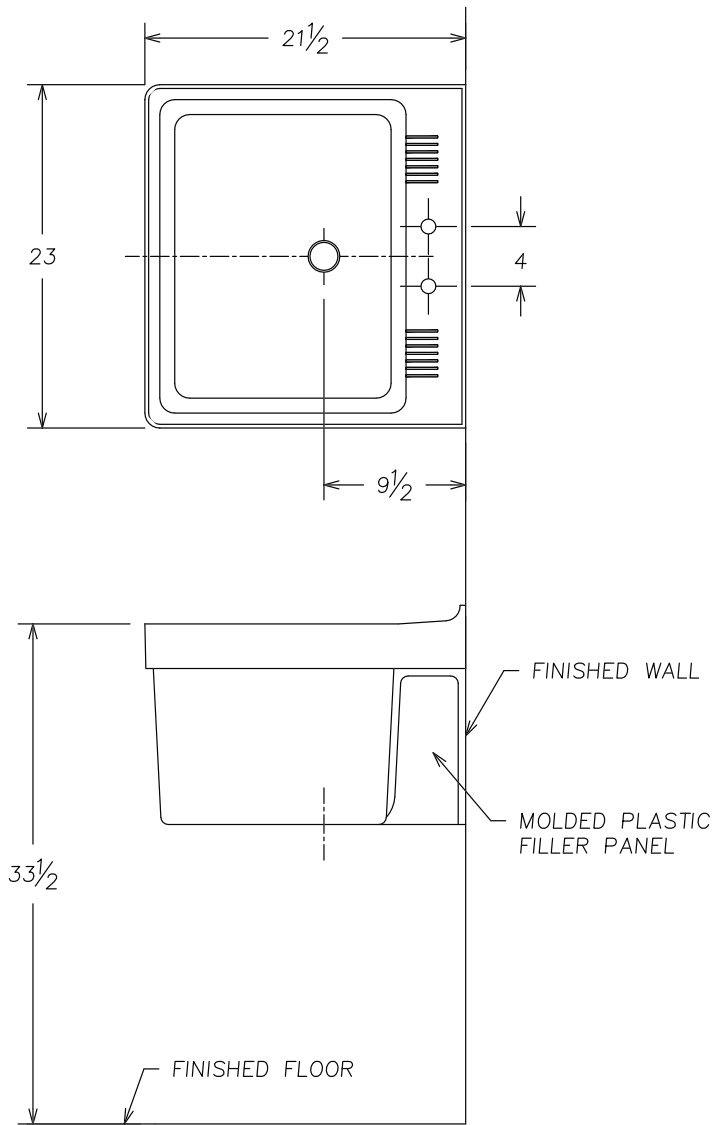
FIAT PRODUCTS
A CRANE PLUMBING COMPANY

MOLDED-STONE® LAUNDRY TUBS

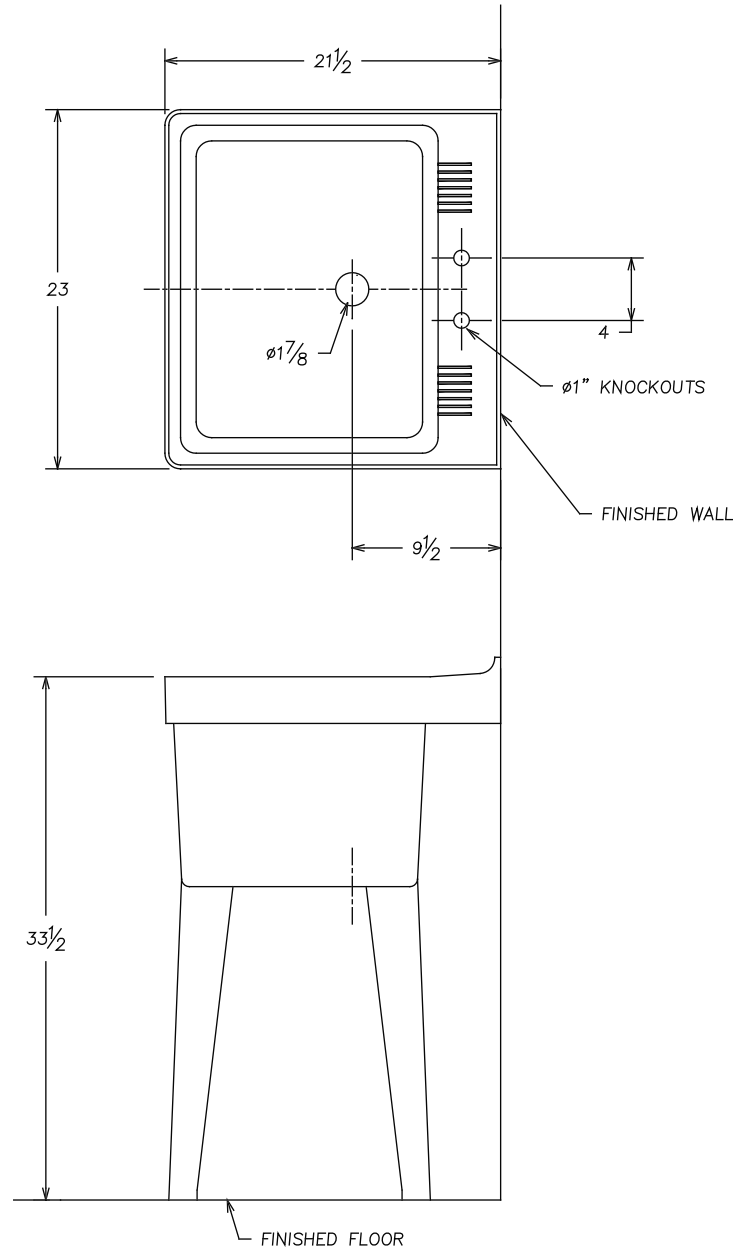
L-1 / FL-1

Molded-Stone® Serv-A-Sink® Single Compartment Laundry Tubs

MODEL L-1 WALL HUNG



MODEL FL-1 FLOOR MOUNTED



 **FIAT PRODUCTS**
A CRANE PLUMBING COMPANY

IMPORTANT: Roughing-in dimensions may vary $\frac{1}{2}$ " and are subject to change or cancellation without prior notice.

CR/PL© 11/02 Printed in U.S.A