



6" Deep Mop Service Basin

FEATURES

- **SB / TSB / TSBC / TSBCR**

The mop service basin is a one piece, precast terrazzo as manufactured by Fiat Products. The shoulders shall not be less than 6" high outside, 4" inside at lowest wall (series TSB-3000 is supplied with 12" shoulders). The shoulder width shall be 2" on all sides with a 1/2" pitch toward the inside. The drain body shall be stainless steel or chrome plated brass, cast integral and shall provide for a caulk connection not less than 1" deep to a 3" pipe. Terrazzo shall be made of black and white marbel chips cast in gray portland cement to produce a compressive strength not less than 3000 P.S.I. seven days after casting. Terrazzo surface shall be ground and polished with all air holes and/or pits to be grouted and excess removed. Integral galvanized bonderized steel tiling flanges are available as required at no extra charge, but shall be supplied only if specified with the order, as to quantity and location. Stainless steel tiling flanges are also available at an extra cost.

For the installation you need to establish 1/4" clearance between mop basin and wall. It is important that the entire area between the mop basin and the building floor have a layer of mortar in order that the mop basin be level.

NOTES

- The Wall Guard is manufactured of heavy gauge stainless steel and is used to protect walls adjacent to Mop Basins. Two panels are supplied for corner installations, a third panel is required for a recessed installation. (MSG2424; MSG2828; MSG3624; MSG3636)

OPTIONS

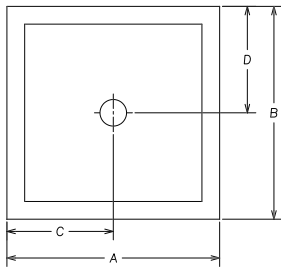
- Mop Service Basin Fitting (830-AA)
- Aluminum Bumperguard with Vinyl Insert. (1239-BB)
- Hose and Bracket Combination. (832-AA)
- Silicone selant. (833-AA)

- **SB-2424 Series (with plain curbs):**
SB-2424; SB-3030; SB-3232; SB-3636; SB-3624
- **TSB-3000 Series (with caps on all curbs):**
TSB-3000; TSB-3001; TSB-3002; TSB-3003
- **TSB-3000 Series (with stainless steel threshold only):**
TSB-3010; TSB-3011; TSB-3012; TSB-3013
- **TSBC-1610 Series (with stainless steel caps on all curbs):**
TSBC-1610; TSBC-1611; TSBC-1612
- **TSBCR-1000 Series (with stainless steel threshold only):**
TSBCR-1000
- **TSBCR-1000 Series (stainless steel caps on all curbs):**
TSBCR-1100



FIAT PRODUCTS
ACRANE PLUMBING COMPANY

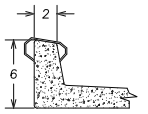
Terrazzo Shower Floor



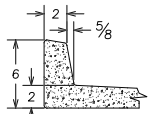
Series SB
With Plain Curbs

MODEL	SIZE	A	B	C	D
SB-2424	24 x 24 x 6	24	24	12	12
SB-3030	30 x 30 x 6	30	30	15	15
SB-3232	32 x 32 x 6	32	32	16	16
SB-3636	36 x 36 x 6	36	36	18	18
SB-3624	36 x 24 x 6	36	24	18	12

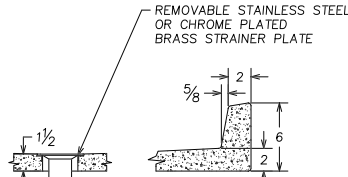
MODELS SB-2424, SB-3232, SB-3636 AND SB-3624 SHALL BE SUPPLIED WITH PLAIN CURBS. STAINLESS STEEL CAPS AS REQUIRED AND ORDERED AVAILABLE OPTIONALLY.



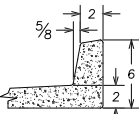
SECTION THRU THRESHOLD WITH OPTIONAL ALUMINUM BUMPER GUARD



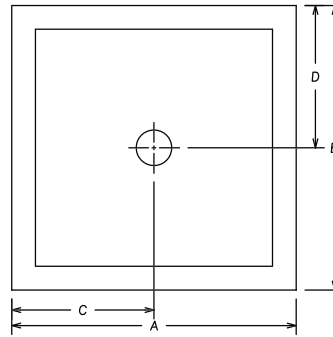
SECTION THRU THRESHOLD



SECTION THRU DRAIN (LEAD CAULK & "P" TRAP BY OTHERS)



SECTION THRU SIDES

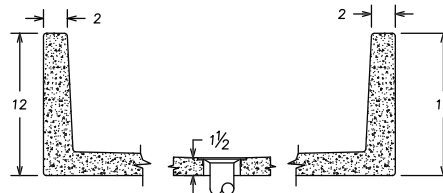


Series TSB - 100
With Stainless Steel Caps On All Curbs

MODEL	SIZE	A	B	C	D
TSB - 100	24 x 24 x 12	24	24	12	12
TSB - 300	32 x 32 x 12	32	32	16	16
TSB - 500	36 x 36 x 12	36	36	18	18
TSB - 700	36 x 24 x 12	36	24	18	12

Series TSB - 100
With Plain Curbs

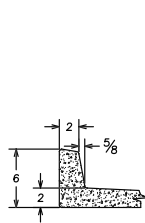
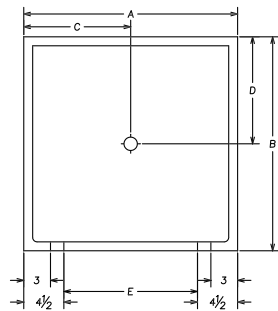
MODEL	SIZE	A	B	C	D
TSB - 200	24 x 24 x 12	24	24	12	12
TSB - 400	32 x 32 x 12	32	32	16	16
TSB - 600	36 x 36 x 12	36	36	18	18
TSB - 800	36 x 24 x 12	36	24	18	12



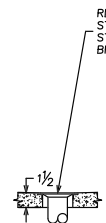
SECTION THRU THRESHOLD

SECTION THRU DRAIN (LEAD CAULK & "P" TRAP BY OTHERS)

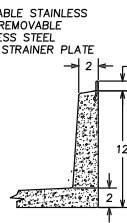
SECTION THRU SIDES



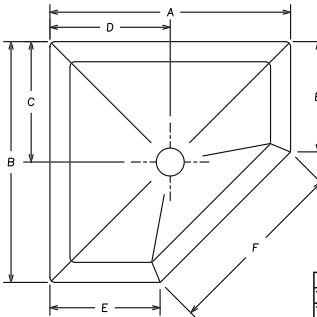
SECTION THRU THRESHOLD



SECTION THRU DRAIN (LEAD CAULK & "P" TRAP BY OTHERS)



SECTION THRU SIDES BONDERIZED WITH GALVANIZED TILING FLANGE



Series TSBC - 6000
With Stainless Steel Caps On All Curbs

MODEL	SIZE	A	B	C	D	E	F
TSBC - 6010	24 x 24 x 12	24	24	12	12	11	18 1/4
TSBC - 6011	32 x 32 x 12	32	32	12	12	14	25 3/8
TSBC - 6012	36 x 36 x 12	36	36	12	12	18	25 3/8

Series TSB - 6000
With Plain Curbs

MODEL	SIZE	A	B	C	D	E	F
TSBC - 6000	24 x 24 x 12	24	24	12	12	11	18 1/4
TSBC - 6001	32 x 32 x 12	32	32	12	12	14	25 3/8
TSBC - 6002	36 x 36 x 12	36	36	12	12	18	25 3/8

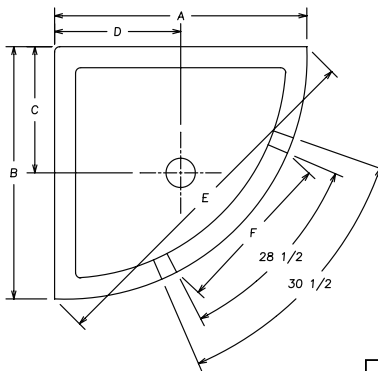
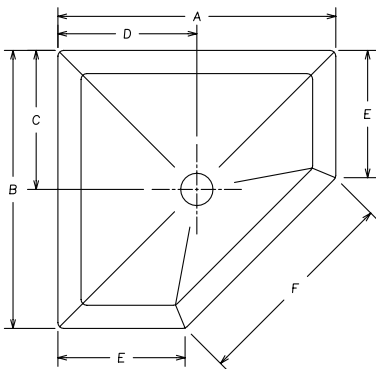
MODELS TSB-3010, TSB-3011, TSB-3012 AND TSB-3013 SHALL BE SUPPLIED WITH STAINLESS STEEL CAP ON DROPPED THRESHOLD CURB ONLY (SEE TABLE 3)

SERIES TSB-3000
Stainless Steel Caps On All Curbs

MODEL	SIZE	A	B	C	D	E
TSB-3000	24 x 24 x 12	24	24	12	12	15
TSB-3001	32 x 32 x 12	32	32	16	16	23
TSB-3002	36 x 36 x 12	36	36	18	18	27
TSB-3003	36 x 24 x 12	36	24	18	12	27

SERIES TSB-3000
With Stainless Steel Threshold Only

MODEL	SIZE	A	B	C	D	E
TSB-3010	24 x 24 x 12	24	24	12	12	15
TSB-3011	32 x 32 x 12	32	32	16	16	23
TSB-3012	36 x 36 x 12	36	36	18	18	27
TSB-3013	36 x 24 x 12	36	24	18	12	27



SERIES TSB-1100
Stainless Steel Caps On All Curbs

MODEL	SIZE	A	B	C	D	E
TSBCR-1100	28 x 28 x 12	28	28	12	12	28 1/2

SERIES TSB-1000
With Stainless Steel Threshold Only

MODEL	SIZE	A	B	C	D	E
TSBCR-1000	28 x 28 x 12	28	28	12	12	28 1/2

Series TSBC - 1610
With Stainless Steel Caps On All Curbs

MODEL	SIZE	A	B	C	D	E	F
TSBC - 1610	24 x 24 x 12	24	24	12	12	11	18 1/4
TSBC - 1611	32 x 32 x 12	32	32	12	12	14	25 3/8
TSBC - 1612	36 x 36 x 12	36	36	12	12	18	25 3/8



IMPORTANT: Roughing-in dimensions may vary 1/2" and are subject to change or cancellation without prior notice.