

### 6" Deep Mop Service Basin



## FEATURES

### • SB / TSB-3000 / TSBC 1610 / TSBCR-1000

The mop service basin is a one piece, precast terrazzo as manufactured by Fiat Products. The shoulders shall not be less than 6" high outside, 4" inside at lowest wall (series TSB-3000 is supplied with 12" shoulders). The shoulder width shall be 2" on all sides with a 1/2" pitch toward the inside. The drain body shall be stainless steel or chrome plated brass, cast integral and shall provide for a caulk connection not less than 1" deep to a 3" pipe. Terrazzo shall be made of black and white marble chips cast in gray portland cement to produce a compressive strength not less than 3000 P.S.I., seven days after casting. Terrazzo surface shall be ground and polished with all air holes and/or pits to be grouted and excess removed. Integral galvanized bonderized steel tiling flanges are available as required at no extra charge, but shall be supplied only if specified with the order, as to quantity and location. Stainless steel tiling flanges are also available at an extra cost.

For the installation you need to establish 1/4" clearance between mop basin and wall. It is important that the entire area between the mop basin and the building floor have a layer of mortar in order that the mop basin be level.

## NOTES

- The Wall Guard is manufactured of heavy gauge stainless steel and is used to protect walls adjacent to Mop Basins. Two panels are supplied for corner installations, a third panel is required for a recessed installation. (MSG2424; MSG2828; MSG3232; MSG3624; MSG3636.)

## OPTIONS

- Mop Service Basin Fitting. (830-AA)
- Aluminum Bumperguard with Vinyl Insert. (1239-BB)
- Hose and Bracket Combination. (832-AA)
- Mop Hanger Bracket. (889-CC)
- Silicone sealant. (833-AA)



**FIAT PRODUCTS**  
A CRANE PLUMBING COMPANY

# MOP SERVICE BASIN

Molded-Stone® 6" Deep Mop Service Basin

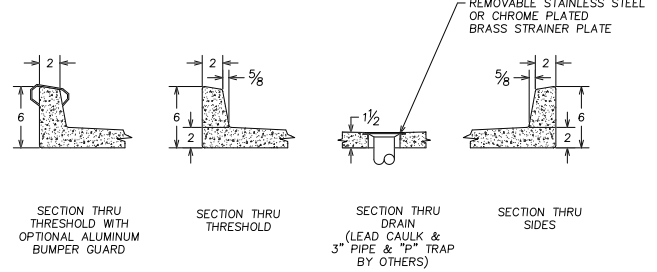
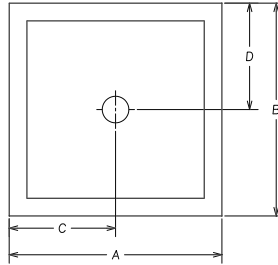
# SB/TSB-3000 TSBC-1610 TSBCR-1000

## SB-3000

Series SB  
With Plain Curbs

MODEL	SIZE	A	B	C	D
SB-2424	24 x 24 x 6	24	24	12	12
SB-3030	30 x 30 x 6	30	30	15	15
SB-3232	32 x 32 x 6	32	32	16	16
SB-3636	36 x 36 x 6	36	36	18	18
SB-3624	36 x 24 x 6	36	24	18	12

MODELS SB-2424, SB-3232, SB-3636 AND SB-3624 SHALL BE SUPPLIED WITH PLAIN CURBS. STAINLESS STEEL CAPS AS REQUIRED AND ORDERED AVAILABLE OPTIONALLY.

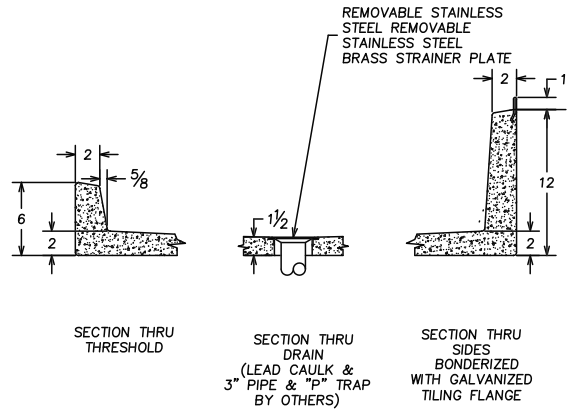
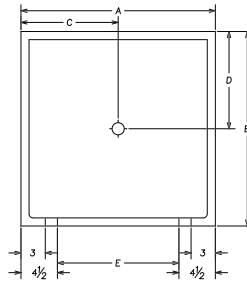


## TSB-3000

SERIES TSB-3000  
Stainless Steel Caps On All Curbs

MODEL	SIZE	A	B	C	D	E
TSB-3000	24 x 24 x 12	24	24	12	12	15
TSB-3001	32 x 32 x 12	32	32	16	16	23
TSB-3002	36 x 36 x 12	36	36	18	18	27
TSB-3003	36 x 24 x 12	36	24	18	12	27

MODELS TSB-3010, TSB-3011, TSB-3012 AND TSB-3013 SHALL BE SUPPLIED WITH STAINLESS STEEL CAP ON DROPPED THRESHOLD CURB ONLY (SEE TABLE 3)

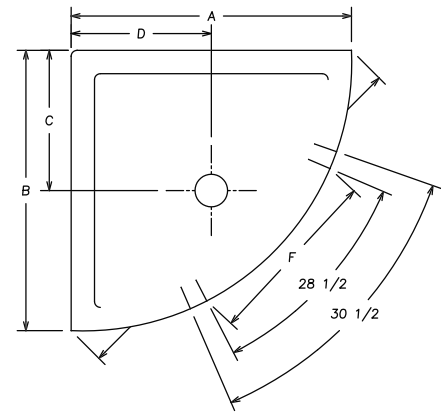
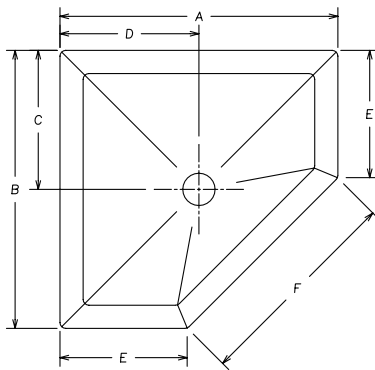


SERIES TSB-3000  
With Stainless Steel Threshold Only

MODEL	SIZE	A	B	C	D	E
TSB-3010	24 x 24 x 12	24	24	12	12	15
TSB-3011	32 x 32 x 12	32	32	16	16	23
TSB-3012	36 x 36 x 12	36	36	18	18	27
TSB-3013	36 x 24 x 12	36	24	18	12	27

## TSBC-1000

## TSBC-1610



Series TSBC - 1610  
With Stainless Steel Caps On All Curbs

MODEL	SIZE	A	B	C	D	E	F
TSBC - 1610	24 x 24 x 12	24	24	12	12	11	18 1/4
TSBC - 1611	32 x 32 x 12	32	32	12	12	14	25 3/8
TSBC - 1612	36 x 36 x 12	36	36	12	12	18	25 3/8

SERIES TSB-3000  
Stainless Steel Caps On All Curbs

MODEL	SIZE	A	B	C	D	E
TSBC-1100	28 x 28 x 12	28	28	12	12	28 1/2

SERIES TSB-3000  
With Stainless Steel Threshold Only

MODEL	SIZE	A	B	C	D	E
TSBC-1000	28 x 28 x 12	28	28	12	12	28 1/2



**FIAT PRODUCTS**  
ACRANE PLUMBING COMPANY

**IMPORTANT:** Roughing-in dimensions may vary 1/2" and are subject to change or cancellation without prior notice.