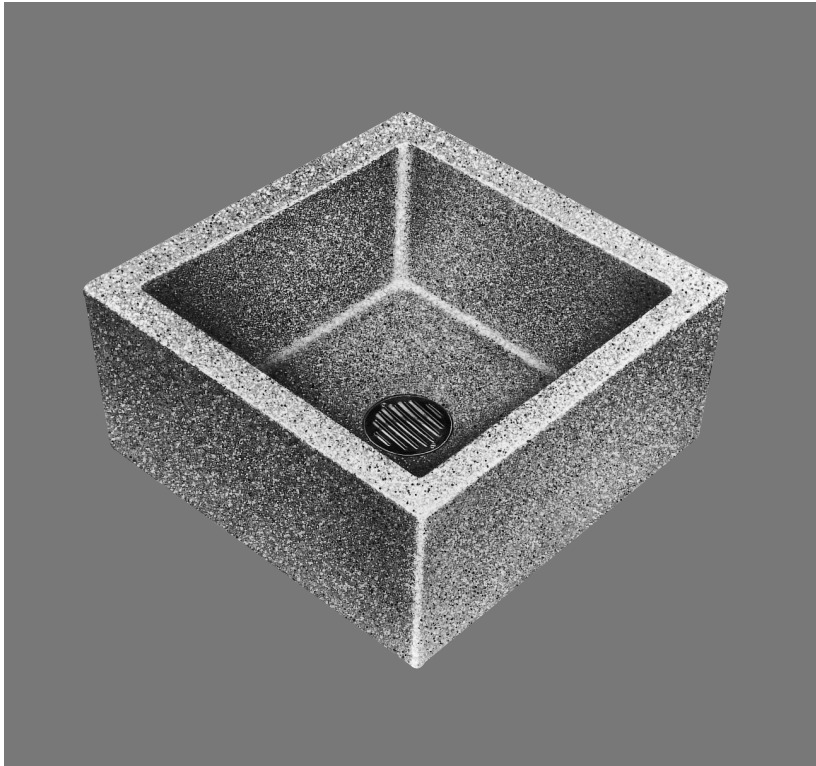


PRECAST TERRAZZO
10" HIGH TYPE
SQUARE, RECTANGULAR

FEATURES

- **GENERAL:**

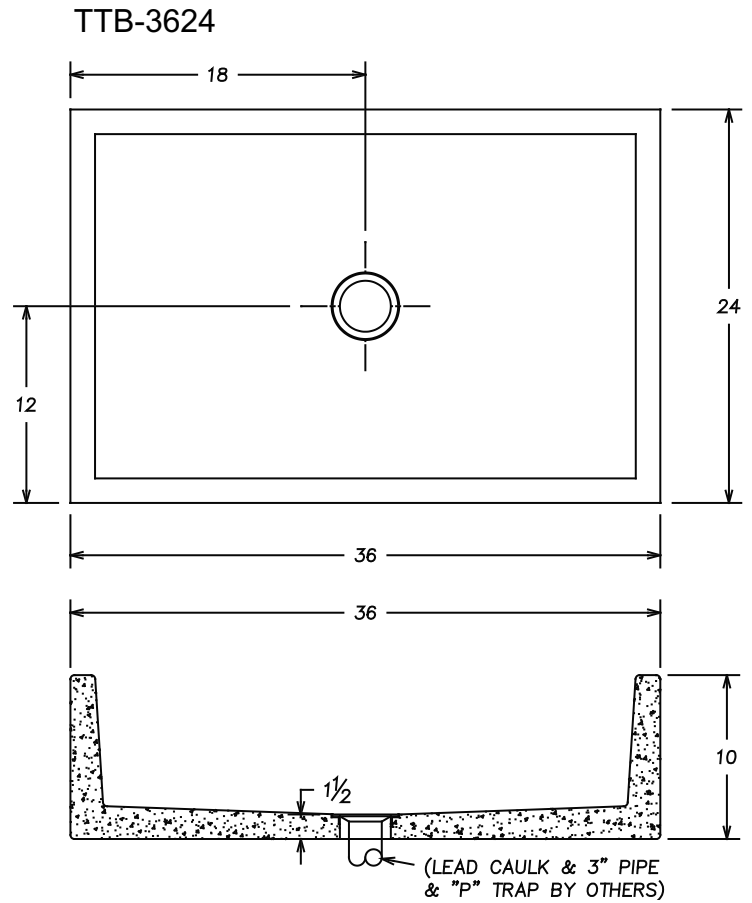
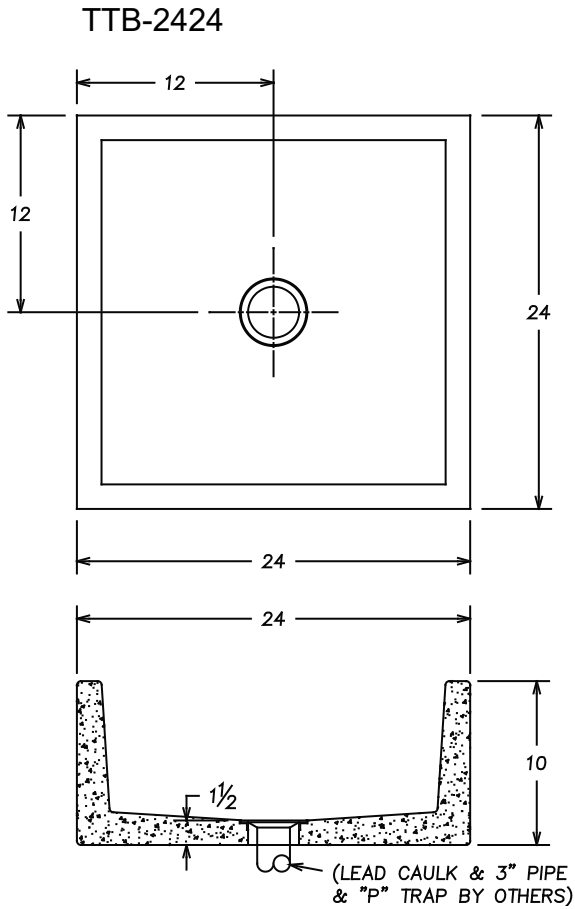
Top Service Basin shall be one piece, precast Terrazzo as manufactured by Fiat Products. Shoulders shall not be less than 8" high inside and 10" high outside. Shoulder width shall be 1¼" on all sides with a ½" pitch toward the inside. Drain body shall be stainless steel or chrome plated brass, cast integral and shall provide for a lead caulk connection not less than 1" deep to a 3" pipe. Terrazzo shall be made of black and white marble chips cast in gray portland cement to produce a compressive strength not less than 3000 P.S.I., seven days after casting. Terrazzo surface shall be ground and polished with all air holes and/or pits to be grouted and excess removed.



NOTES

OPTIONS





Establish 1/4" clearance between mop basin and wall. It is important that the entire area between the mop basin and the building floor have a layer of mortar in order that the mop basin be level.