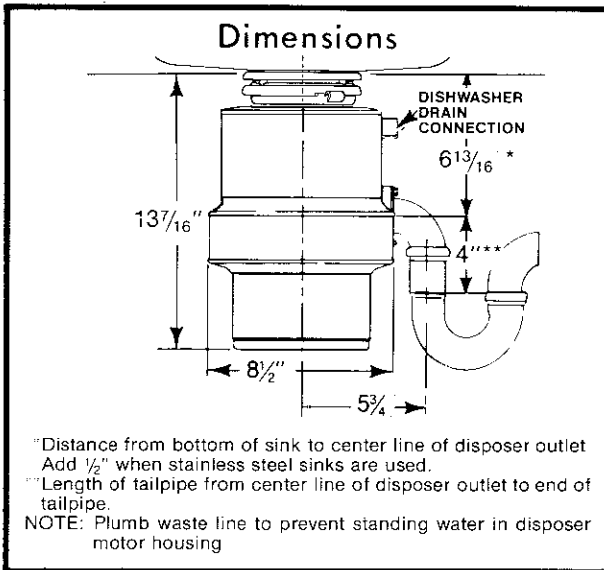
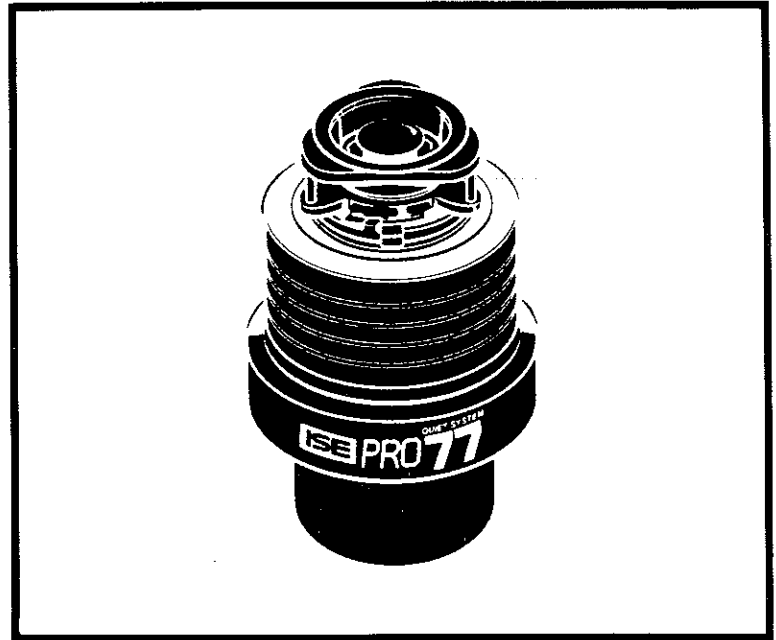


Submittal Sheet

- 7 full year parts and in-home service warranty*
- Exclusive QUIET SYSTEM™ sound baffle
- Whisper Quiet polystyrene sound barrier
- 1 horsepower capacitor start induction motor
- Polished stainless steel sink flange
- Stainless steel 2-piece easygrip stopper
- Stainless steel grind chamber
- Stainless steel rotating shredder with two stainless steel 360° swivel impellers
- Exclusive self-service "Wrenchette"
- "Quick-lock" mounting
- Exclusive polypropylene corrosion shield
- Automatic reversing action
- Permanently lubricated upper and lower bearings
- Exclusive cushioned anti-splash baffle
- Sound-absorbing upper shell
- Dishwasher drain connection
- Overload protection manually reset
- Diamond ni-hard shredder ring



Specifications

| | | | |
|---------------------------|---|-----------------------------|---|
| Type of Feed | Continuous | Unit Finish | Acrylic Black Enamel Stainless Steel |
| On/Off Control | Wall Switch | Overall Height | 13 1/2" |
| Motor | Split phase | Grind Chamber Cap. | * 5 1/4 cups |
| HP | 1 | Motor Protection | Manual reset Overload |
| Volts | 120 | Average Water Usage | 1-1/2 Gallons Per Person Per Day |
| HZ | 60 | Average Electrical Usage | 1/2 KWH Per Month |
| RPM | 1725 | Drain Connection | 1-1/2" Cushioned Slip Joint |
| Amp. (Avg. Load) | 9.0 | Dishwasher Drain Connection | Yes |
| Time Ratings | Intermittent | | |
| Lubrication | Permanently Lubricated Upper & Lower Bearings | | |
| Shipping Weight (Approx) | 23 lbs | | |

Sample Specifications

Garbage Disposer(s) shall be In-Sink-Erator stainless steel Model PRO 77. Stainless steel grinding elements, continuous feed, automatic reversing action, with 1 HP capacitor start motor, corrosion protection shield, self-service wrenchette. Warranty - 7 full year parts and in-home service

*The complete ISE warranty and all parts covered is included in the Care & Use Booklet packed with each unit

Meets MIL-G-15840-B Type II

*Unlimited capacity — continuous feed

Job Specifications