

**IN
SINK
ERATOR®****POINT-OF-USE
WATER HEATERS****MODEL W-152****MODEL W-154*****Economical point-of-use water heaters.*****MODEL W-152**
2 1/2 gallon**MODEL W-154**
4 gallon**FEATURES**

- Bronze, long-life storage tank. Nothing to corrode or wear out.
- Screw-in copper heating element can be easily replaced.
- Tank is insulated with expanded polystyrene, then jacketed in steel for maximum heat retention, minimum standby heat loss.
- Super fast recovery rate for better service.
- Drain provided for easy maintenance.
- Easy to install. Fits almost anywhere — under sinks, in cabinets, etc.
- Adjustable temperature range of 110° to 170° F.
- Operates on ordinary house current (110-120 volts).
- Comes with 3 1/2 foot cord and grounded plug.
- One year full warranty covers all parts, labor and on-site repairs by an In-Sink-Erator service agency.

SPECIFICATIONS**TANK CONSTRUCTION:** Bronze.**TANK VOLUME:**

W-152: 2 1/2 U.S. gallons.

W-154: 4 U.S. gallons.

VOLTAGE: 120 v.**HEATING CAPACITY:** 1500 watts.**ELEMENT TYPE:**

Replaceable cartridge type.

TEMPERATURE RANGE: 110°-170°F.**OPERATING PRESSURE:** 150 psi (max).**THERMOSTAT TYPE:** Resettable.**FIRST HOUR RATING (80°F RISE):**

W-152: 8.6 gal.

W-154: 10.4 gal.

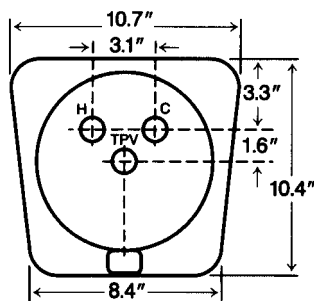
WATER CONNECTIONS: 1/2" NPT female.**PRESSURE RELIEF CONNECTION:**

3/4" NPT female.

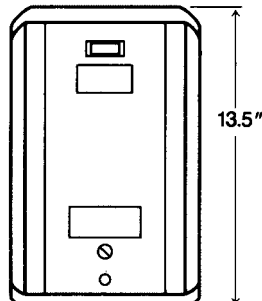
OVERALL DIMENSIONS:

W-152: 13.5"H x 10.4"D x 10.7"W.

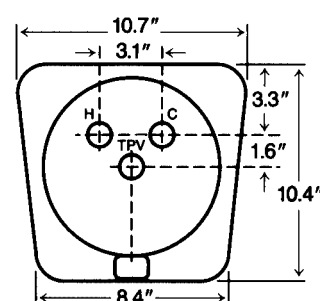
W-154: 20.2"H x 10.4"D x 10.7"W.

**MODEL W-152****DIMENSIONS****MODEL W-154**

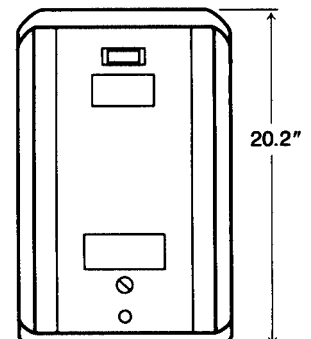
Top View



Front View



Top View



Front View

**IN
SINK
ERATOR®**4700 21st STREET
RACINE, WI 53406-5093
TEL: 262 554-5432
FAX: 262 554-3620www.insinkerator.com**AnswerLine™**
1-800-558-5700

The Emerson logo is a trademark and a service mark of Emerson Electric Co.

EMERSON
Appliance Solutions