

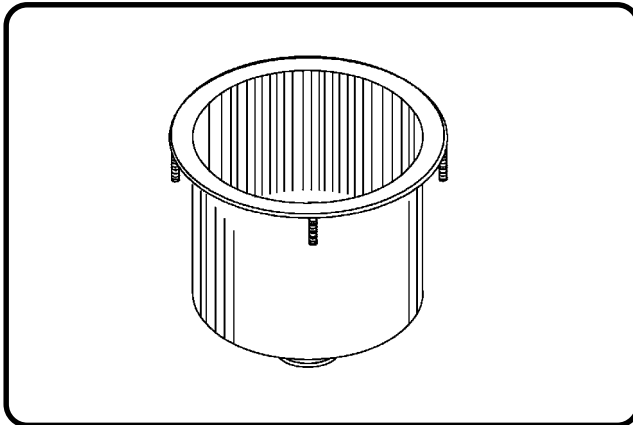


INSTITUTIONAL GROUP

A-37734 / A-39056

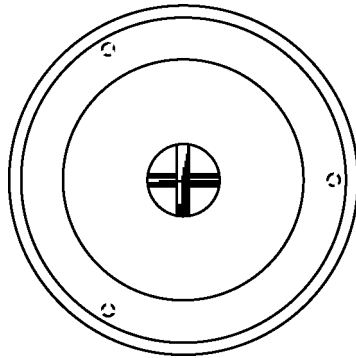
**ROUND CUP SINKS
SELF RIM**

SUBMITTAL DATA

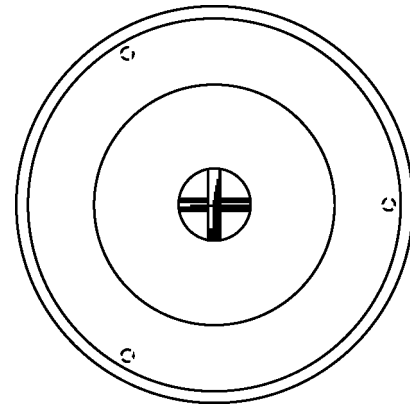
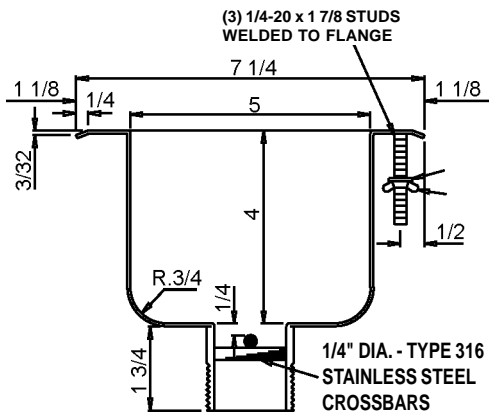


SPECIFICATION

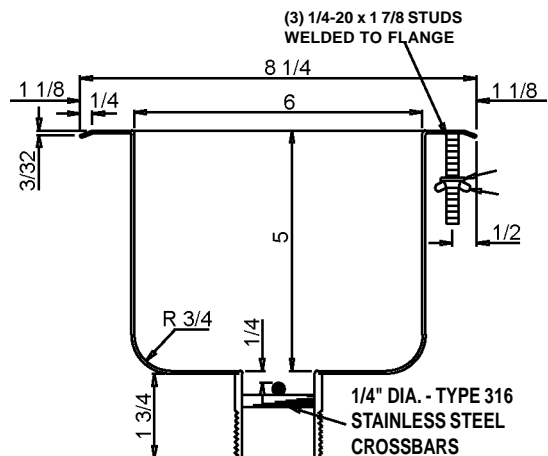
Fabricated of 16 gauge type 316 stainless steel. Interior surfaces and top flange polished with a Hand-Blended Just Finish. 1 1/2" I.P.S. type 316 stainless steel pipe with integral crossbar strainer.



A-37734 CUP SINK



A-39056 CUP SINK



FUNCTIONAL DESIGN, QUALITY, AND SPECIFICATIONS LISTED DESCRIBE THE JUST STANDARD OF QUALITY. WHEN MAKING COMPARISONS WITH OTHER OFFERINGS, INSIST ON THE JUST QUALITY OF CONSTRUCTION. FOR ADDITIONAL INFORMATION REGARDING THE COMPLETE LINE OF **JUST** SINKS, FAUCETS AND DRAINS, VISIT OUR WEB SITE AT www.justmfg.com

Job Name _____

Customer _____

Architect/Engineer _____

APPROVED FOR MANUFACTURING

MODEL NO. _____ QTY. _____

COMPANY _____

TITLE _____ DATE _____

SIGNATURE _____

REVISED-5/2004

JUST MANUFACTURING COMPANY

9233 KING STREET . FRANKLIN PARK . ILLINOIS . 60131-2111

PH: 847-678-5150 . FAX: 847-678-6817 . E-MAIL: custserv@justmfg.com . www.justmfg.com