

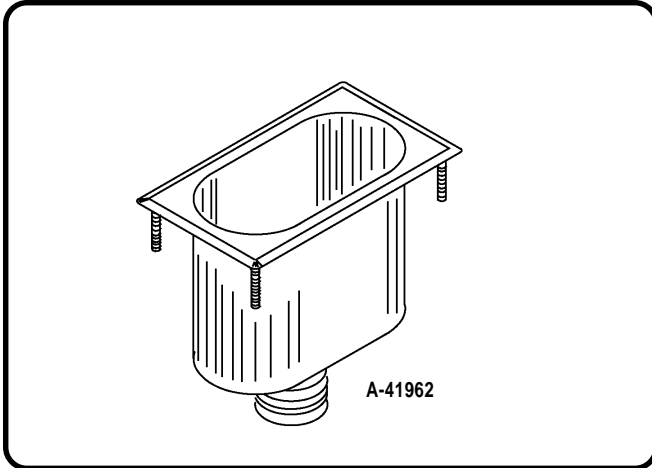


**INSTITUTIONAL GROUP**

**A-41962 / A-41963**

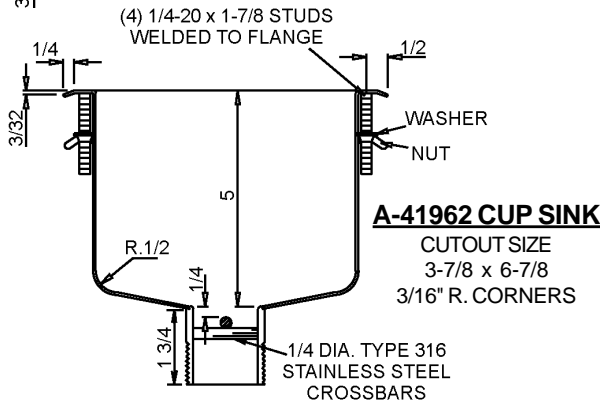
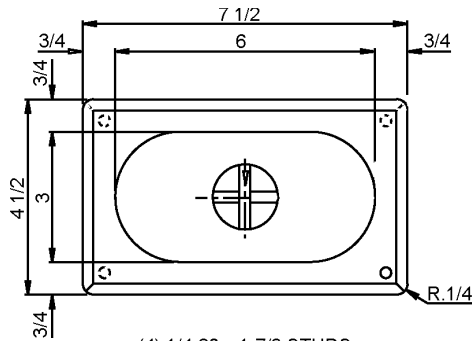
**OVAL CUP SINKS**

**SUBMITTAL DATA**

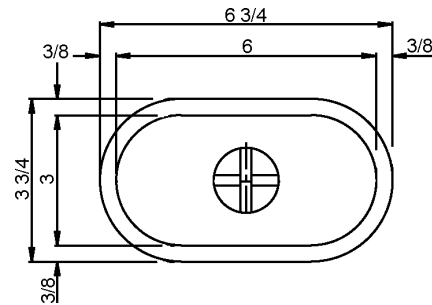


**SPECIFICATION**

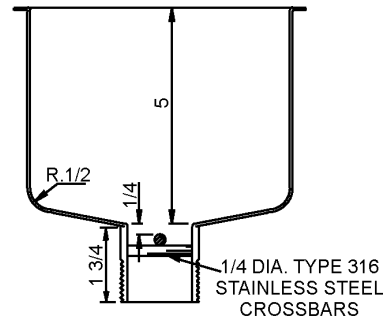
Fabricated of 18 gauge type 316 stainless steel. Interior surfaces and top flange polished to a Hand-blended Just Finish. 1 1/2" I.P.S. type 316 stainless steel pipe with integral crossrod strainer.



1-1/2 I.P.S. TYPE 316 STAINLESS STEEL PIPE WELDED TO BOTTOM OF SINK



**A-41963 CUP SINK**



1-1/2 I.P.S. TYPE 316 STAINLESS STEEL PIPE WELDED TO BOTTOM OF SINK

FUNCTIONAL DESIGN, QUALITY, AND SPECIFICATIONS LISTED DESCRIBE THE JUST STANDARD OF QUALITY. WHEN MAKING COMPARISONS WITH OTHER OFFERINGS, INSIST ON THE JUST QUALITY OF CONSTRUCTION. FOR ADDITIONAL INFORMATION REGARDING THE COMPLETE LINE OF **JUST** SINKS, FAUCETS AND DRAINS, VISIT OUR WEB SITE AT [www.justmfg.com](http://www.justmfg.com)

Job Name \_\_\_\_\_

Customer \_\_\_\_\_

Architect/Engineer \_\_\_\_\_

APPROVED FOR MANUFACTURING

MODEL NO. \_\_\_\_\_ QTY. \_\_\_\_\_

COMPANY \_\_\_\_\_

TITLE \_\_\_\_\_ DATE \_\_\_\_\_

SIGNATURE \_\_\_\_\_

REVISED-5/2004

**JUST MANUFACTURING COMPANY**

9233 KING STREET . FRANKLIN PARK . ILLINOIS . 60131-2111

PH: 847-678-5150 . FAX: 847-678-6817 . E-MAIL: [custserv@justmfg.com](mailto:custserv@justmfg.com) . [www.justmfg.com](http://www.justmfg.com)