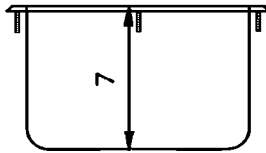
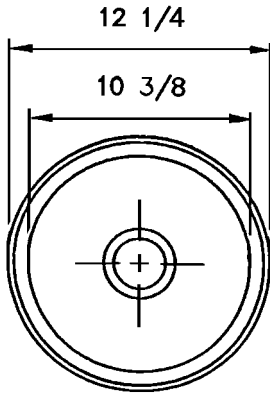




DESIGNER SERIES



#15 DRAIN OPENING

CUTOUT DIMENSIONS*
11 1/2" diameter

JUST MFG. COMPANY CONTINUES TO MAKE QUALITY AND FUNCTIONALITY A MARK OF THE JUST PRODUCT LINE. TO DO SO REQUIRES THAT WE RESERVE THE RIGHT TO CHANGE PRODUCT INFORMATION WITHOUT NOTICE. DIMENSIONS MAY VARY AND ARE SUBJECT TO CHANGE WITHOUT NOTICE. NO RESPONSIBILITY IS ASSUMED FOR USE OF SUPERCEDED OR VOIDED DATA. FOR THE MOST CURRENT AND ACCURATE INFORMATION REGARDING THE COMPLETE LINE OF JUST SINKS, FAUCETS AND DRAINS, CLICK ON THE SPEC LINE DRAWINGS LINK ON OUR WEB SITE AT www.justsinks.com

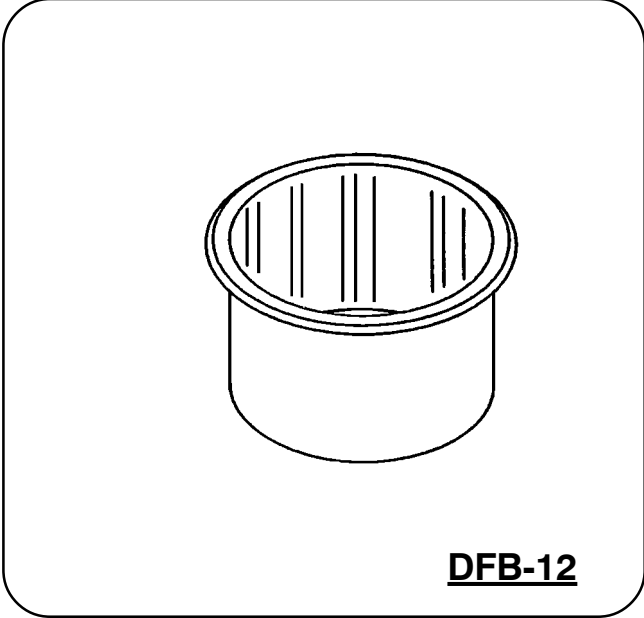
Job Name _____

Customer _____

Architect/Engineer _____

DFB-12

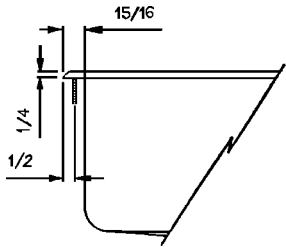
Bristol Hill Basin II



DFB-12

SPECIFICATION

Construction of 18 gauge type 304 stainless steel. Top deck and interior surfaces polished to a non-porous Hand-Blended Just Finish, with a highlighted bowl rim. Fully coated underside insulates for sound, and reduces condensation. Straight-sided compartment. Self-rimming top mount with mounting hardware. Drain punch Just #15. unless otherwise specified.



SECTION THRU RIM

APPROVED FOR MANUFACTURING

MODEL NO. _____ QTY. _____

COMPANY _____

TITLE _____ DATE _____

SIGNATURE _____

SUBMITTAL DATA

52004