

# Just STYLIST GROUP

## SPECIFICATION

Seamless die-drawn construction of type 304, 18-8 stainless steel. Interior and top surfaces polished to a non-porous Hand-Blended Just Finish with highlighted bowl rim. Fully coated underside insulates for sound, and absorbs condensation. Straight-sided compartment with  $1 \frac{3}{4}$ " radius corners provides greater capacity. Self-rimming top mount Grip-Rim Plus with 300 series stainless steel mounting channels. Conforms to ASME/ANSI A112.19.3M. Drain punch #35 centered for Just J-35 unless otherwise specified.

**TYPE 316 STAINLESS STEEL**(check if applicable)



**AVAILABLE  
ADA COMPLIANT**

Most 18 gauge units are available in depths  $4 \frac{1}{2}$ " to  $6 \frac{1}{2}$ " to accommodate installation compliant with "ADA" requirements. Refer to the Drop-In ADA section of your standard Just binder for detailed information.

### To be specified :

■ Faucet hole punching:

- (1) Hole Centered
- (2) Holes on 4" centers
- (3) Holes on 4" centers(illustrated)
- (4) Holes on 4" centers

Alternate Punching:

Faucet Model: \_\_\_\_\_

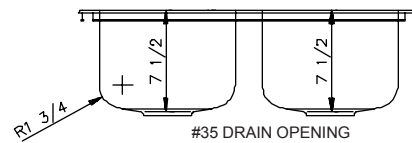
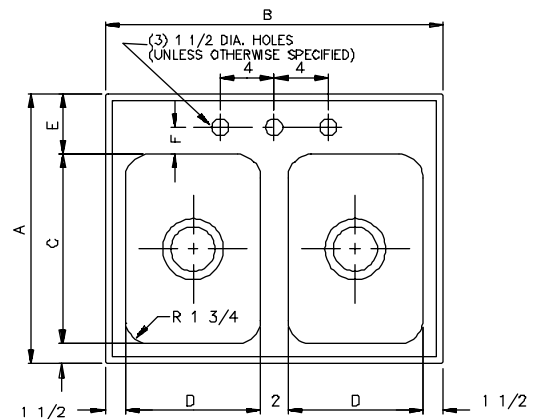
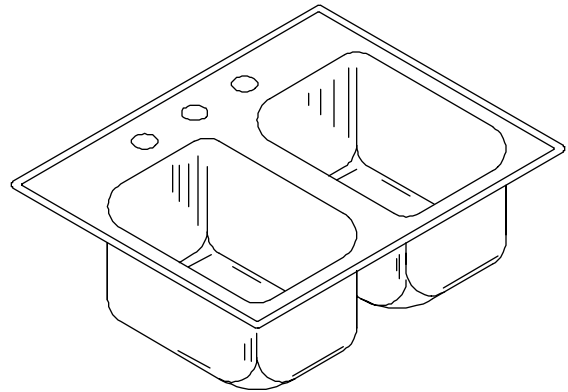
Punching required: \_\_\_\_\_

FUNCTIONAL DESIGN, QUALITY, AND SPECIFICATIONS LISTED DESCRIBE THE **JUST** STANDARD OF QUALITY. WHEN MAKING COMPARISONS TO OTHER OFFERINGS, INSIST ON THE **JUST** QUALITY OF CONSTRUCTION.

Job Name _____	
Customer _____	
Architect/Engineer _____	
APPROVED FOR MANUFACTURING	
MODEL NO. _____	QTY. _____
COMPANY _____	
TITLE _____	DATE _____
SIGNATURE _____	

## DL - SERIES - A - 18 GA.

**SPACE SAVER - LEDGE TYPE  
DOUBLE BOWL**



MODEL NO.	A	B	C	D	E	F	CUTOUT*
DL-1625-A-GR	16	25	10	10	4 1/2	2	15 1/4 x 24 1/4
DL-17537-A-GR	17 1/2	37	11 1/2	16	4 1/2	2	16 3/4 x 36 1/4
DL-1829-A-GR	18	29	12	12	4 1/2	2	17 1/4 x 28 1/4
DL-1925-A-GR	19	25	14	10	3 1/2	1 3/4	18 1/4 x 24 1/4
DL-1933-A-GR**	19	33	14	14	3 1/2	1 3/4	18 1/4 x 32 1/4
DL-2025-A-GR	20	25	14	10	4 1/2	2	19 1/4 x 24 1/4
DL-2037-A-GR	20	37	14	16	4 1/2	2	19 1/4 x 36 1/4
DL-2128-A-GR	21	28	16	11 1/2	3 1/2	1 3/4	20 1/4 x 27 1/4
DL-2228-A-GR	22	28	16	11 1/2	4 1/2	2	21 1/4 x 27 1/4

\* Cutout dimensions shown (Front-to-Back) x (Left-to-Right) - Corners of cutout may be square or up to 1/2" radius.

\*\* This model has 1 1/8 center partition and 1 15/16 end flanges.

Just

**MANUFACTURING COMPANY**  
 9233 KING STREET, FRANKLIN PARK, ILLINOIS 60131  
 PHONE: (847) 678-5150 FAX: (847) 678-6817

**SUBMITTAL DATA**