

Just STYLIST GROUP

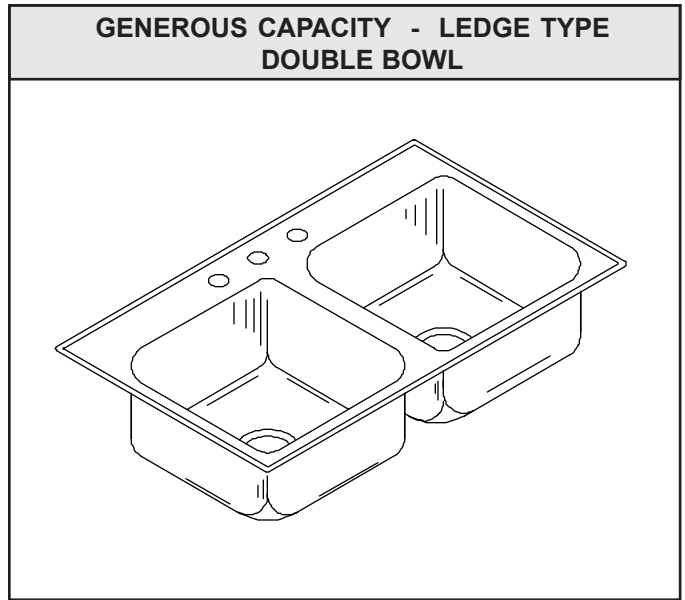
DL - SERIES - A - 18 GA. GENEROUS CAPACITY - LEDGE TYPE DOUBLE BOWL

SUBMITTAL

SPECIFICATION

Seamless die-drawn construction of type 304, 18-8 stainless steel. Interior and top surfaces polished to a non-porous Hand-Blended Just Finish with highlighted bowl rim. Fully coated underside insulates for sound, and absorbs condensation. Straight-sided compartment with $1 \frac{3}{4}$ " radius corners provides greater capacity. Self-rimming top mount Grip-Rim Plus with 300 series stainless steel mounting channels. Conforms to ASME/ANSI A112.19.3M. Drain punch #35 centered for Just J-35 unless otherwise specified.

TYPE 316 STAINLESS STEEL (check if applicable)



**AVAILABLE
ADA COMPLIANT**

Most 18 gauge units are available in depths $4 \frac{1}{2}$ " to $6 \frac{1}{2}$ " to accommodate installation compliant with "ADA" requirements. Refer to the Drop-In ADA section of your standard Just binder for detailed information.

To be specified :

■ Faucet hole punching:

(1) Hole Centered

(2) Holes on 4" centers

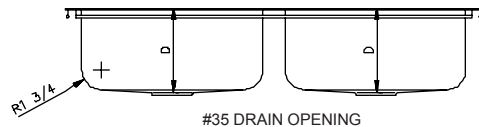
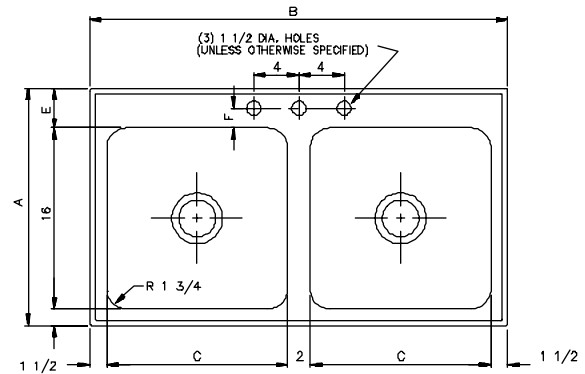
(3) Holes on 4" centers (illustrated)

(4) Holes on 4" centers

Alternate Punching:

Faucet Model: _____

Punching required: _____



DATA

FUNCTIONAL DESIGN, QUALITY, AND SPECIFICATIONS LISTED DESCRIBE THE JUST STANDARD OF QUALITY. WHEN MAKING COMPARISONS TO OTHER OFFERINGS, INSIST ON THE JUST QUALITY OF CONSTRUCTION.

Job Name _____	
Customer _____	
Architect/Engineer _____	
APPROVED FOR MANUFACTURING	
MODEL NO. _____	QTY. _____
COMPANY _____	
TITLE _____	DATE _____
SIGNATURE _____	

MODEL NO.	A	B	C	D	E	F	CUTOUT*
DL-2133-A-GR**	21	33	14	8	$3 \frac{1}{2}$	$1 \frac{3}{4}$	$20 \frac{1}{4} \times 32 \frac{1}{4}$
DL-2137-A-GR	21	37	16	$7 \frac{1}{2}$	$3 \frac{1}{2}$	$1 \frac{3}{4}$	$20 \frac{1}{4} \times 36 \frac{1}{4}$
DL-2143-A-GR	21	43	19	$7 \frac{1}{2}$	$3 \frac{1}{2}$	$1 \frac{3}{4}$	$20 \frac{1}{4} \times 42 \frac{1}{4}$
DL-2233-A-GR**	22	33	14	8	$4 \frac{1}{2}$	2	$21 \frac{1}{4} \times 32 \frac{1}{4}$
DL-2237-A-GR	22	37	16	$7 \frac{1}{2}$	$4 \frac{1}{2}$	2	$21 \frac{1}{4} \times 36 \frac{1}{4}$
DL-2243-A-GR	22	43	19	$7 \frac{1}{2}$	$4 \frac{1}{2}$	2	$21 \frac{1}{4} \times 42 \frac{1}{4}$

* Cutout dimensions shown (Front-to-Back) x (Left-to-Right) - Corners of cutout may be square or up to $\frac{1}{2}$ " radius.

** This model has $1 \frac{1}{8}$ " center partition and $1 \frac{15}{16}$ " end flanges.

Just

MANUFACTURING COMPANY
9233 KING STREET, FRANKLIN PARK, ILLINOIS 60131
PHONE: (847) 678-5150 FAX: (847) 678-6817