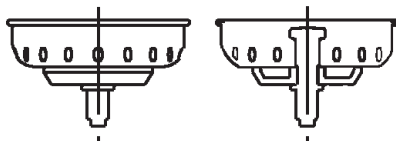
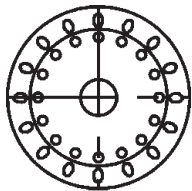
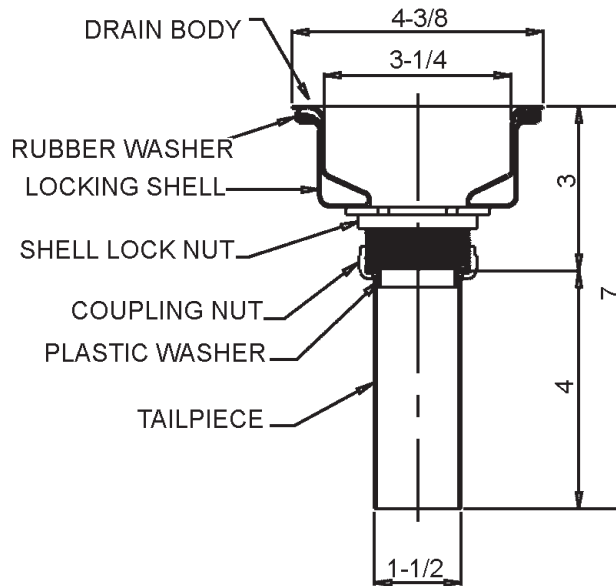
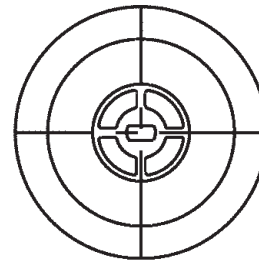


**Stainless Steel Drain
with
Crumb Cup Strainer**

SUBMITTAL DATA



STRAINER DETAIL

TECHNICAL DATA

DRAIN:

Body of Type 304 stainless steel
Strainer and post of Type 304 stainless steel
Stopper of rubber

TAILPIECE:

Chrome plated brass

LOCK NUT:

Die-cast zinc

COUPLING NUT:

Die-cast

VARIANTS

Brass coupling nuts

Dimensions tolerance +/- 1/4".

Dimensions may vary and are subject to change. No responsibility is assumed for use of superseded or voided data.

Job Name _____
Customer _____
Architect/Engineer _____
APPROVED FOR MANUFACTURING
MODEL NO. _____ QTY. _____
COMPANY _____
TITLE _____ DATE _____
SIGNATURE _____

Just MANUFACTURING COMPANY
9233 KING STREET, FRANKLIN PARK, ILLINOIS 60131
PHONE: (847) 678-5150 FAX: (847) 678-6817