

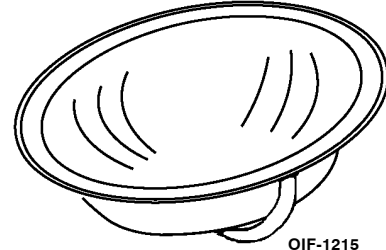
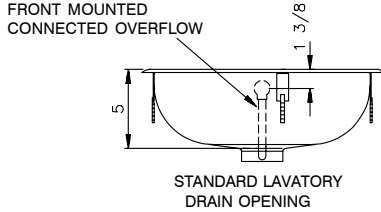
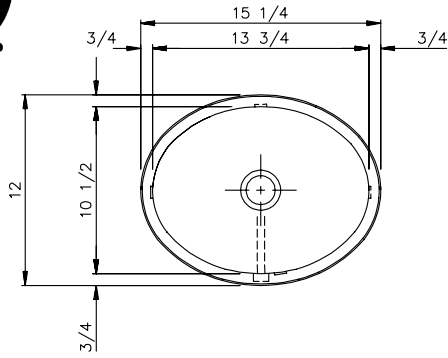


# LAVATORY GROUP

# OIF/OIR - SERIES - A - 18 GA.

SUBMITTAL DATA

## OVAL BOWL - NO LEDGE

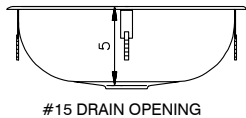
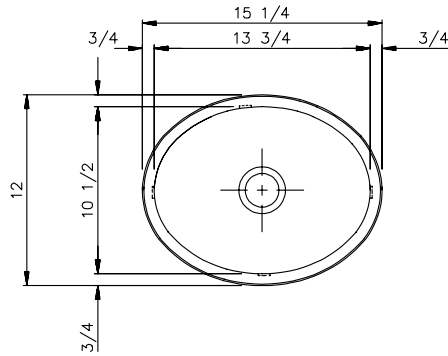


OIF-1215

### SPECIFICATION

Seamless die-drawn construction stainless steel. Interior and top surfaces polished to a non-porous Hand-Blended Just Finish. Fully coated underside insulates for sound, and reduces condensation. OIF-1215 punched for standard lavatory drain. OIR-1215 punched for Just J-15-FS unless otherwise specified.

OIF - 1215	CUTOUT DIMENSIONS
	TRACE OUTLINE OF BOWL, CUT 3/8" INSIDE TRACING LINE



OIR - 1215	CUTOUT DIMENSIONS
	TRACE OUTLINE OF BOWL, CUT 3/8" INSIDE TRACING LINE

Job Name \_\_\_\_\_

Customer \_\_\_\_\_

Architect/Engineer \_\_\_\_\_

APPROVED FOR MANUFACTURING

MODEL NO. \_\_\_\_\_ QTY. \_\_\_\_\_

COMPANY \_\_\_\_\_

TITLE \_\_\_\_\_ DATE \_\_\_\_\_

SIGNATURE \_\_\_\_\_

FUNCTIONAL DESIGN, QUALITY, AND SPECIFICATIONS LISTED DESCRIBE THE JUST STANDARD OF QUALITY. WHEN MAKING COMPARISONS WITH OTHER OFFERINGS, INSIST ON THE JUST QUALITY OF CONSTRUCTION. FOR ADDITIONAL INFORMATION REGARDING THE COMPLETE LINE OF JUST SINKS, FAUCETS AND DRAINS, VISIT OUR WEB SITE AT [www.justmfg.com](http://www.justmfg.com)

REVISED-5/2004