

Just

STYLIST GROUP

SPECIFICATION

Seamless die-drawn construction of type 304, 18-8 stainless steel. Interior and top surfaces polished to a non-porous Hand-Blended Just Finish with highlighted bowl rim. Fully coated underside insulates for sound, and absorbs condensation. Straight-sided compartment with $1\frac{3}{4}$ " radius corners provides greater capacity. Self-rimming top mount Grip-Rim Plus with 300 series stainless steel mounting channels. Conforms to ASME/ANSI A112.19.3M. Drain punch #35 centered for Just J-35 unless otherwise specified.

TYPE 316 STAINLESS STEEL(check if applicable)



**AVAILABLE
ADA COMPLIANT**

Most 18 gauge units are available in depths 4 1/2" to 6 1/2" to accommodate installation compliant with "ADA" requirements. Refer to the Drop-In ADA section of your standard Just binder for detailed information.

To be specified :

■ Faucet hole punching:

- (1) Hole Centered
- (2) Holes on 4" centers
- (3) Holes on 4" centers(illustrated)

Alternate Punching:

Faucet Model: _____

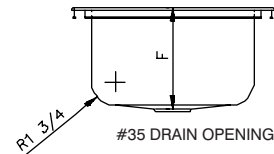
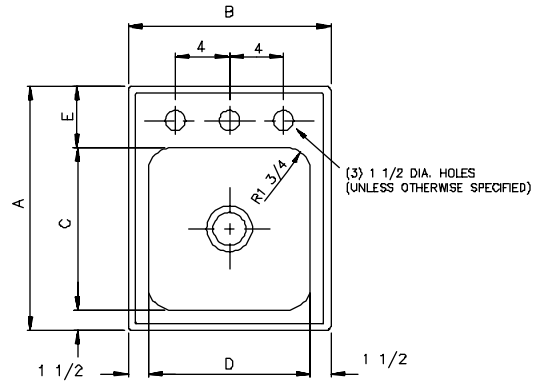
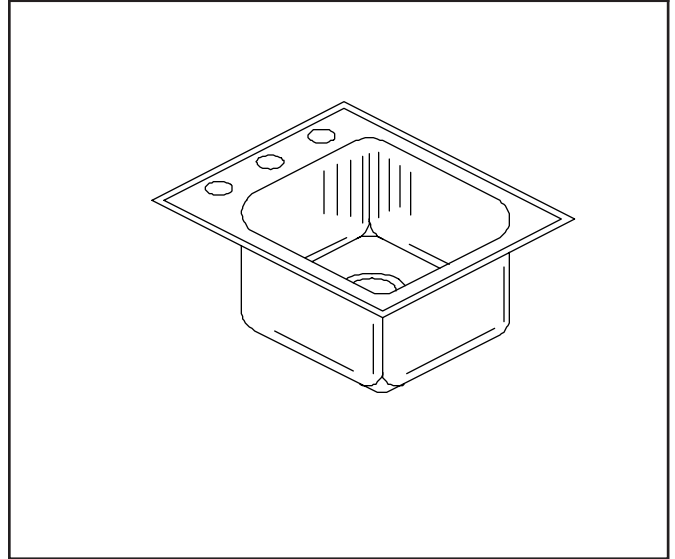
Punching required: _____

FUNCTIONAL DESIGN, QUALITY, AND SPECIFICATIONS LISTED DESCRIBE THE **JUST** STANDARD OF QUALITY. WHEN MAKING COMPARISONS TO OTHER OFFERINGS, INSIST ON THE **JUST** QUALITY OF CONSTRUCTION.

Job Name _____	
Customer _____	
Architect/Engineer _____	
APPROVED FOR MANUFACTURING	
MODEL NO. _____	QTY. _____
COMPANY _____	
TITLE _____	DATE _____
SIGNATURE _____	

SL - SERIES - A - 18 GA.

**SPACE - SAVER
LEDGE TYPE - SINGLE BOWL**



MODEL NO.	A	B	C	D	E	F	CUTOUT*
SL-1515-A-GR	15	15	9	12	4-1/2	6	14-1/4 x 14-1/4
SL-1613-A-GR	16	13	10	10	4-1/2	7-1/2	15-1/4 x 12-1/4
SL-1617-A-GR	16	17	10	14	4-1/2	7-1/2	15-1/4 x 16-1/4
SL-17519-A-GR	17	19	11-1/2	16	4-1/2	7-1/2	16-3/4 x 18-1/4
SL-1815-A-GR	18	15	12	12	4-1/2	7-1/2	17-1/4 x 14-1/4
SL-1921-A-GR	19	21	14	18	3-1/2	7-1/2	18-1/4 x 20-1/4
SL-22145-A-GR	22	14	16	11-1/2	4-1/2	7-1/2	21-1/4 x 13 -3/4

* Cutout dimensions shown (Front-to-Back) x (Left-to-Right) - Corners of cutout may be square or up to 1/2" radius.

SUBMITTAL DATA

Just

MANUFACTURING COMPANY
9233 KING STREET, FRANKLIN PARK, ILLINOIS 60131
PHONE: (847) 678-5150 FAX: (847) 678-6817