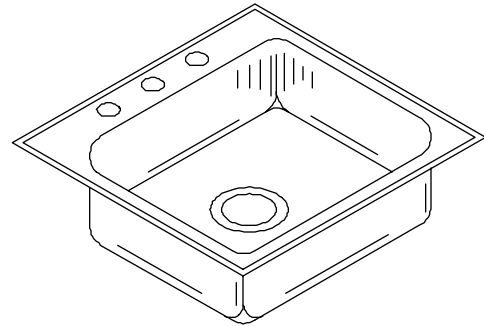


SL - SERIES - A - 18 GA.

GENEROUS CAPACITY
LEDGE TYPE - SINGLE BOWL



SUBMITTAL DATA

SPECIFICATION

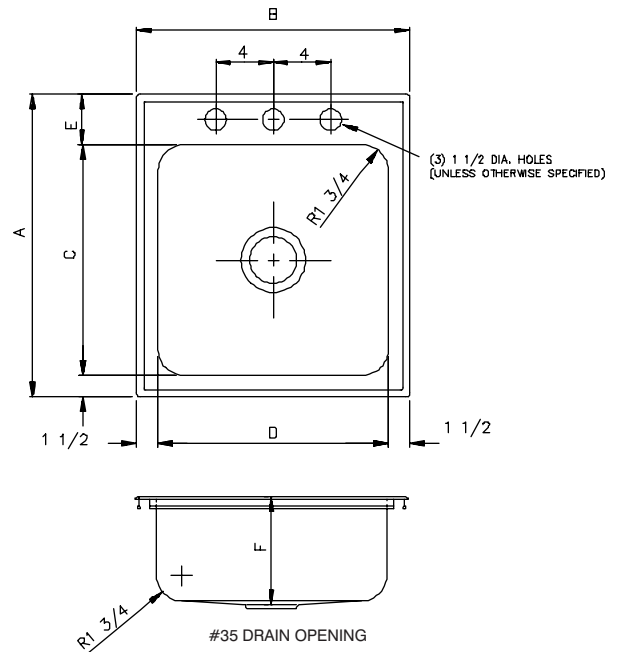
Seamless die-drawn construction of type 304, 18-8 stainless steel. Interior and top surfaces polished to a non-porous Hand-Blended Just Finish with highlighted bowl rim. Fully coated underside insulates for sound, and reduces condensation. Maximum capacity straight-sided compartment with $1\frac{3}{4}$ " radius corners provides greater capacity. Self-rimming top mount Grip-Rim Plus with 300 series stainless steel mounting channels. Conforms to ASME/ANSI A112.19.3M. Drain punch #35 centered for Just J-35 unless otherwise specified.

TYPE 316 STAINLESS STEEL (Check if applicable)



**AVAILABLE
ADA COMPLIANT**

Most 18 gauge units are available in depths 4 1/2" to 6 1/2" to accommodate installation compliant with "ADA" requirements. Refer to the Drop-In ADA section of your standard Just binder for detailed information.



To be specified :

■ Faucet hole punching:

- (1) Hole Centered
- (2) Holes on 4" centers
- (3) Holes on 4 "centers(illustrated)
- (4) Holes

Alternate Punching:

Faucet Model: _____
Punching required: _____

FUNCTIONAL DESIGN, QUALITY, AND SPECIFICATIONS LISTED DESCRIBE THE **JUST** STANDARD OF QUALITY. WHEN MAKING COMPARISONS TO OTHER OFFERINGS, INSIST ON THE **JUST** QUALITY OF CONSTRUCTION.

Job Name _____
Customer _____
Architect/Engineer _____
APPROVED FOR MANUFACTURING
MODEL NO. _____ QTY. _____
COMPANY _____
TITLE _____ DATE _____
SIGNATURE _____

MODEL NO.	A	B	C	D	E	F	CUTOUT*
SL-2017-A-GR	20	17	14	14	4-1/2	7-1/2	19-1/4 x 16-1/4
SL-2019-A-GR	20	19	14	16	4-1/2	7-1/2	19-1/4 x 18-1/4
SL-2117-A-GR	21	17	16	14	3-1/2	7-1/2	20-1/4 x 16-1/4
SL-2119-A-GR	21	19	16	16	3-1/2	7-1/2	20-1/4 x 18-1/4
SL-2122-A-GR	21	22	16	19	3-1/2	7-1/2	20-1/4 x 21-1/4
SL-2217-A-GR	22	17	16	14	4-1/2	7-1/2	21-1/4 x 16-1/4
SL-2219-A-GR	22	19	16	16	4-1/2	7-1/2	21-1/4 x 18-1/4
SL-2222-A-GR	22	22	16	19	4-1/2	7-1/2	21-1/4 x 21-1/4

*Cutout dimensions shown (Front-to-Back) x (Left-to-Right) - Corners of cutout may be square or up to 1/2" radius.

Just

MANUFACTURING COMPANY
9233 KING STREET, FRANKLIN PARK, ILLINOIS 60131
PHONE: (847) 678-5150 FAX: (847) 678-6817