

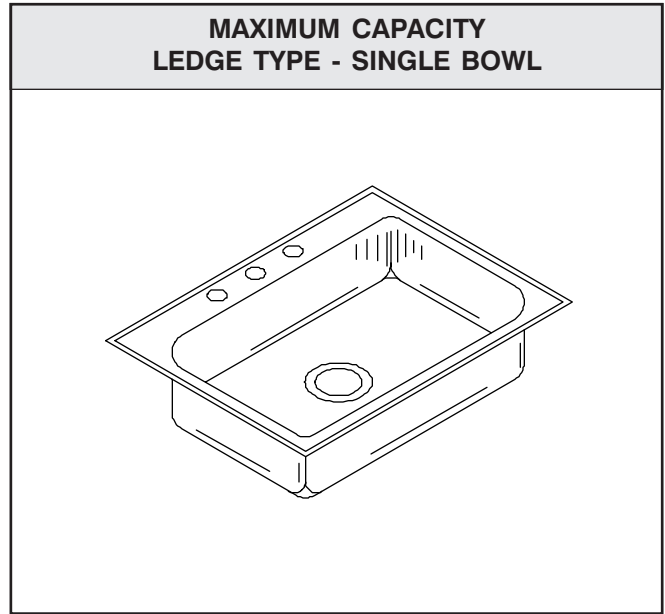
Just STYLIST GROUP

SL - SERIES - B - 20 GA.

SUBMITTAL DATA

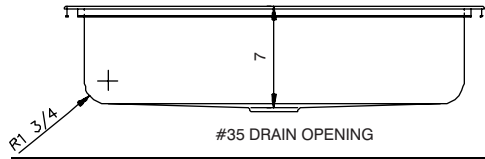
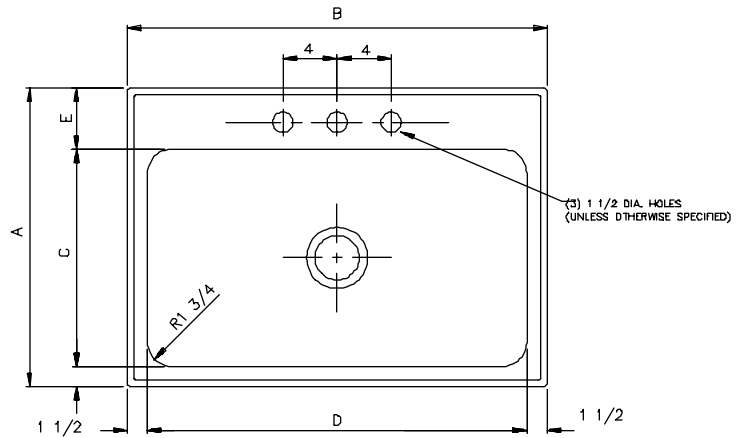
SPECIFICATION

Seamless die-drawn construction of type 304, 18-8 stainless steel. Interior and top surfaces polished to a non-porous Hand-Blended Just Finish with highlighted bowl rim. Fully coated underside insulates for sound, and reduces condensation. Straight-sided compartment with 1 3/4" radius corners provides greater capacity. Self-rimming top mount Grip-Rim Plus with 300 series stainless steel mounting channels. Conforms to ASME/ANSI A112.19.3M. Drain punch #35 centered for Just J-35 unless otherwise specified.



To be specified :

- Faucet hole punching:
- (1) Hole Centered
- (2) Holes on 4" centers
- (3) Holes on 4" centers (illustrated)
- Alternate Punching:
Faucet Model: _____
Punching required: _____



FUNCTIONAL DESIGN, QUALITY, AND SPECIFICATIONS LISTED DESCRIBE THE **JUST** STANDARD OF QUALITY. WHEN MAKING COMPARISONS TO OTHER OFFERINGS, INSIST ON THE **JUST** QUALITY OF CONSTRUCTION.

Job Name _____
Customer _____
Architect/Engineer _____

APPROVED FOR MANUFACTURING

MODEL NO. _____ QTY. _____
COMPANY _____
TITLE _____ DATE _____
SIGNATURE _____

MODEL NO.	A	B	C	D	E	CUTOUT*
SL-2125-B-GR	21	25	16	22	3-1/4	20-1/4 x 24-1/4
SL-2131-B-GR	21	31	16	28	3-1/4	20-1/4 x 30-1/4
SL-2133-B-GR**	21	33	16	28	3-1/4	20-1/4 x 32-1/4
SL-2225-B-GR	22	25	16	22	4-1/4	21-1/4 x 24-1/4
SL-2231-B-GR	22	31	16	28	4-1/4	21-1/4 x 30-1/4
SL-2233-B-GR**	22	33	16	28	4-1/4	21-1/4 x 32-1/4

* Cutout dimensions shown (Front-to-Back) x (Left-to-Right) - corners may be square or up to 1/2" radius.

**These bowls have 2 1/2" side flanges.

Just

MANUFACTURING COMPANY
9233 KING STREET, FRANKLIN PARK, ILLINOIS 60131
PHONE: (847) 678-5150 FAX: (847) 678-6817