

Just

STYLIST GROUP



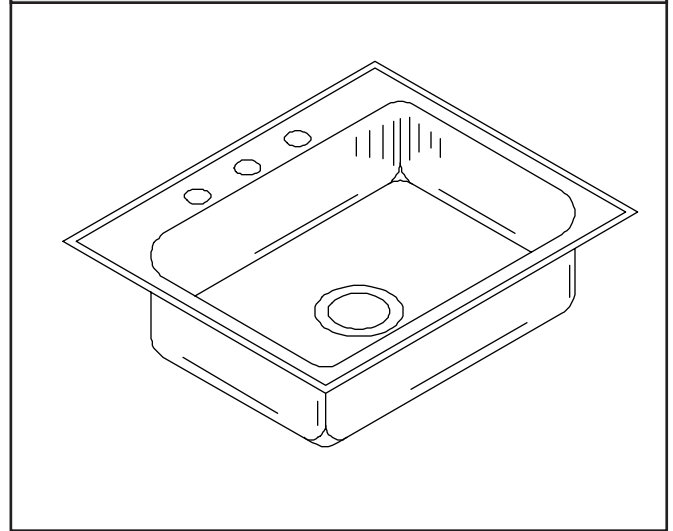
ADA COMPLIANT

SPECIFICATION

Seamless die-drawn construction of type 304, 18-8 stainless steel. Interior and top surfaces polished to a non-porous Hand-Blended Just Finish with highlighted bowl rim. Fully coated underside insulates for sound, and reduces condensation. Straight-sided compartment with $1\frac{3}{4}$ " radius corners provides greater capacity. Self-rimming top mount Grip-Rim Plus with 300 series stainless steel mounting channels. Drain punch #35 centered for Just J-35 unless otherwise specified.

SL-ADA - SERIES - A - 18 GA.

**GENEROUS CAPACITY - LEDGE TYPE
SINGLE COMPARTMENT**



SUBMITTAL DATA

To be specified :

■ Faucet hole punching:

- (1) Hole Centered
- (2) Holes on 4" centers
- (3) Holes on 4" centers (illustrated)
- (4) Holes

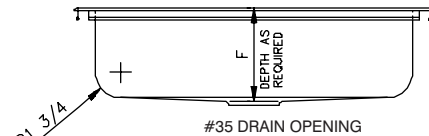
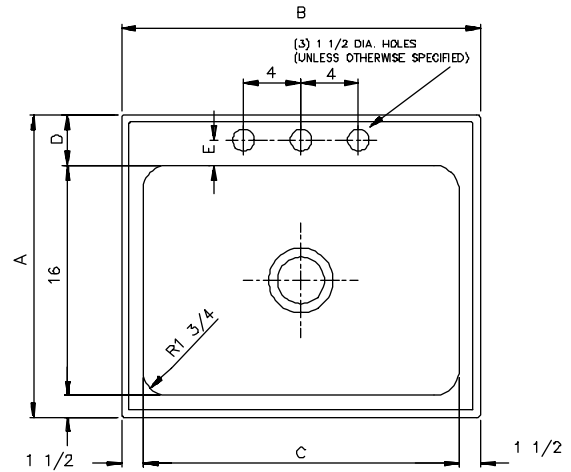
Alternate Punching:

Faucet Model: _____
Punching required: _____

DRAIN LOCATION MUST BE SPECIFIED (Circle one):

- CENTER (SHOWN)
- LEFT REAR
- RIGHT REAR
- CENTER REAR

**LOCATIONS MUST BE A MINIMUM OF
 $4\frac{1}{2}$ " FROM THE BOWL WALL.**



FUNCTIONAL DESIGN, QUALITY, AND SPECIFICATIONS LISTED DESCRIBE THE **JUST** STANDARD OF QUALITY. WHEN MAKING COMPARISONS TO OTHER OFFERINGS, INSIST ON THE **JUST** QUALITY OF CONSTRUCTION.

Job Name _____	
Customer _____	
Architect/Engineer _____	
APPROVED FOR MANUFACTURING	
MODEL NO. _____	QTY. _____
COMPANY _____	
TITLE _____	DATE _____
SIGNATURE _____	

MODEL NO.	A	B	C	D	E	F	CUTOUT*
SL-ADA-2125-A-GR	21	25	22	$3\frac{1}{2}$	$1\frac{3}{4}$	$4\frac{1}{2}$ to $6\frac{1}{2}$	$20\frac{1}{4}$ x $24\frac{1}{4}$
SL-ADA-2131-A-GR	21	31	28	$3\frac{1}{2}$	$1\frac{3}{4}$	$4\frac{1}{2}$ to $6\frac{1}{2}$	$20\frac{1}{4}$ x $30\frac{1}{4}$
SL-ADA-2133-A-GR	21	33	28	$3\frac{1}{2}$	$1\frac{3}{4}$	$4\frac{1}{2}$ to $6\frac{1}{2}$	$20\frac{1}{4}$ x $32\frac{1}{4}$
SL-ADA-2219-A-GR	22	19	16	$4\frac{1}{2}$	2	$4\frac{1}{2}$ to $6\frac{1}{2}$	$21\frac{1}{4}$ x $18\frac{1}{4}$
SL-ADA-2222-A-GR	22	22	19	$4\frac{1}{2}$	2	$4\frac{1}{2}$ to $6\frac{1}{2}$	$21\frac{1}{4}$ x $21\frac{1}{4}$
SL-ADA-2225-A-GR	22	25	22	$4\frac{1}{2}$	2	$4\frac{1}{2}$ to $6\frac{1}{2}$	$21\frac{1}{4}$ x $24\frac{1}{4}$
SL-ADA-2231-A-GR	22	31	28	$4\frac{1}{2}$	2	$4\frac{1}{2}$ to $6\frac{1}{2}$	$21\frac{1}{4}$ x $30\frac{1}{4}$
SL-ADA-2233-A-GR	22	33	28	$4\frac{1}{2}$	2	$4\frac{1}{2}$ to $6\frac{1}{2}$	$21\frac{1}{4}$ x $32\frac{1}{4}$

* Cutout dimensions shown (Front-to-Back) x (Left-to-Right) - Corners of cutout may be square or up to $1\frac{1}{2}$ " radius.

Just

MANUFACTURING COMPANY
9233 KING STREET, FRANKLIN PARK, ILLINOIS 60131
PHONE: (847) 678-5150 FAX: (847) 678-6817