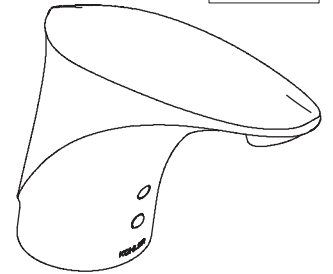


Features

- 4-3/4" (12.1 cm) spout
- 6V lithium-ion battery for DC power supply or 120V, 60 Hz, 15W for AC power supply
- Brass construction
- Single-hole mounting
- Electronic infrared sensor with triangulation technology for accurate activation
- Above-counter battery and valve for easy installation and maintenance
- Vandal-resistant mixing handle or plug button
- 2 gallons (7.5 L) per minute
- Lower flow aerator options are available (refer to the Kohler Price Book)
- 6' (1.83 m) Power cord (AC Model)
- Sensor shield included for easy cleaning
- 22" (55.9 cm) flexible supply hoses for easy installation
- Vandal-resistant aerator

**ELECTRONIC FAUCET
K-10950
ALSO K-10951**

ADA



Colors/Finishes

- CP: Polished Chrome
- G: Brushed Chrome

Codes/Standards Applicable

Specified model meets or exceeds the following:

- ASME A112.18.1
- CSA B125
- Energy Policy Act of 1992 (EPACT)
- IAPMO/UPC
- ADA
- Underwriter's Laboratories (UL) (AC Model)

Specified Model:

Model	Description	Colors/Finishes	
K-10950-4	DC Manual Water Adjustment, Above-Deck Battery Changeability, Single-Hole Mount	<input type="checkbox"/> CP	<input type="checkbox"/> G
K-10951-4	AC Manual Water Adjustment, Single-Hole Mount	<input type="checkbox"/> CP	<input type="checkbox"/> G
Required accessories and optional accessories on Page 2			

Product Specification

Electronic faucet shall be of brass construction. Faucet shall feature an electronic infrared sensor with triangulation technology and requires a plug-in power supply. Product shall feature integral vandal-resistant mixing handle or plug button. Product shall have lower flow aerator options. Faucet shall include 4-3/4" (12.1 cm) spout, vandal-resistant aerator, sensor shield for easy cleaning, and 22" (55.9 cm) flexible supply hoses. Product shall use a 6V lithium-ion battery for DC power supply or 120V, 60 Hz, 15W for AC power supply. Optional features shall be with or without escutcheon plate. Faucet shall be Kohler Model K-_____-_____-_____- and plug-in power supply shall be Kohler Model K-10982-NA.



Required Accessory			
K-10982	Plug-In Power Supply	<input type="checkbox"/> NA	
Optional Accessories			
K-10980	Escutcheon, 4" (10.2 cm)	<input type="checkbox"/> CP	<input type="checkbox"/> G

Installation Notes

Install this product according to the installation guide.

One-stud configuration - 1-1/16" D. (2.7 cm) MIN to 1-1/4" D. (3.2 cm) MAX. mounting hole.

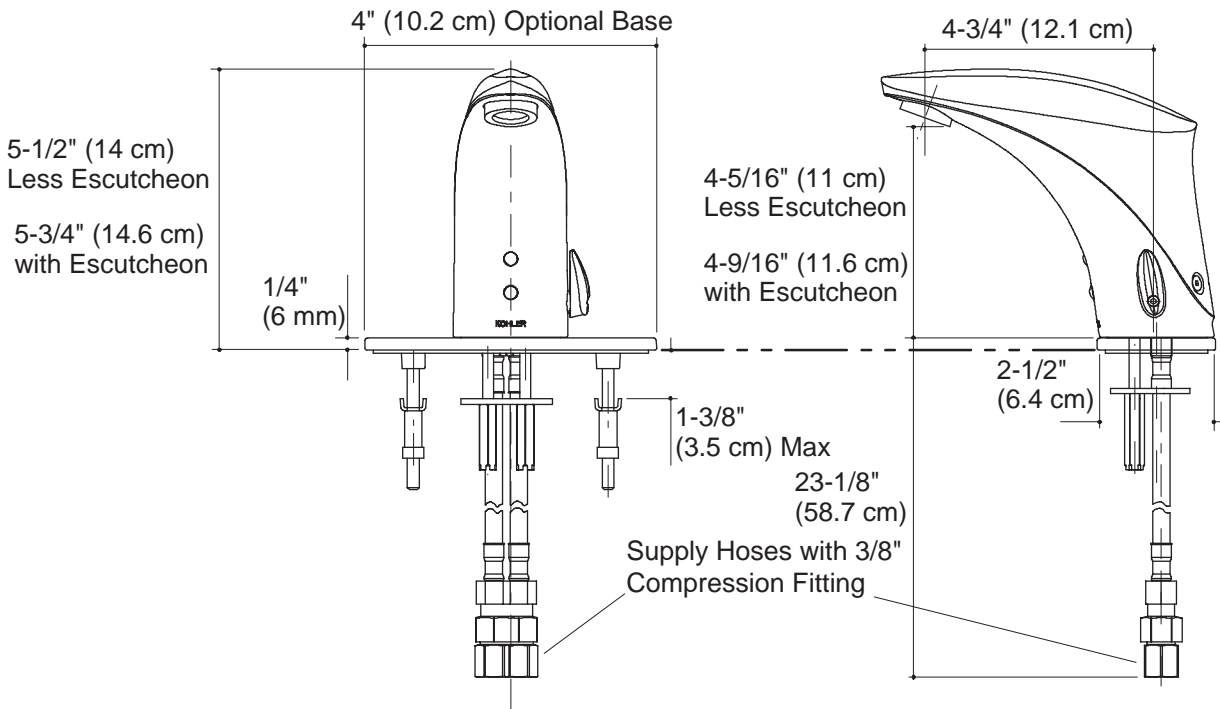
Two-stud configuration - 1-1/4" D. (3.2 cm) MIN to 2-1/2" D. (6.4 cm) MAX mounting hole.

Allow 1-3/4" (4.4 cm) clearance between back of the spout and wall for setscrew access.

The distance from lavatory basin edge to base of the spout should be 1-1/8" (2.9 cm) MAX.

The lip basin height should be 1" (2.5 cm) MAX.

Product uses a 6V lithium-ion battery for the DC version or 120V, 60 Hz, 15W for the AC version.



Product Diagram