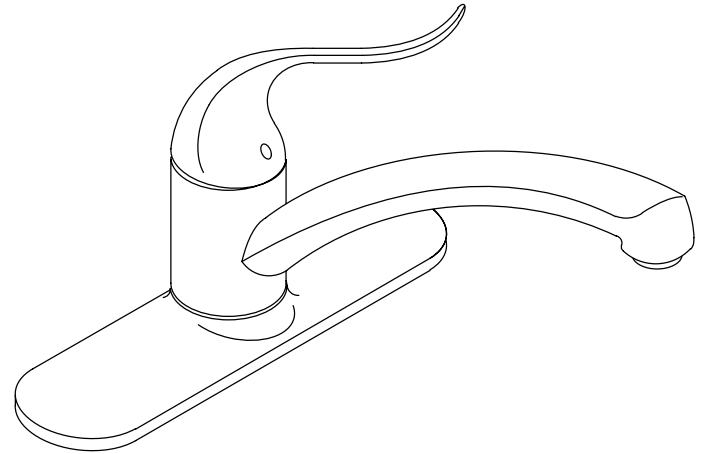


**KITCHEN SINK FAUCET
K-15071-P**

ADA

FEATURES

- Metal construction
- For 8" centers
- One-piece self-contained ceramic disc valve allows both volume and temperature control
- Temperature memory allowing faucet to be turned on and off at any temperature setting
- High-temperature limit stop
- 9-1/4" swing spout
- 2.2 gallons per minute
- Lever handle
- Ground joint connections



CODES/STANDARDS APPLICABLE

Specified model meets or exceeds the following:

- ASME/ANSI A112.18.1M
- CSA B125
- IAPMO/UPC
- NSF 61

COLORS/FINISHES

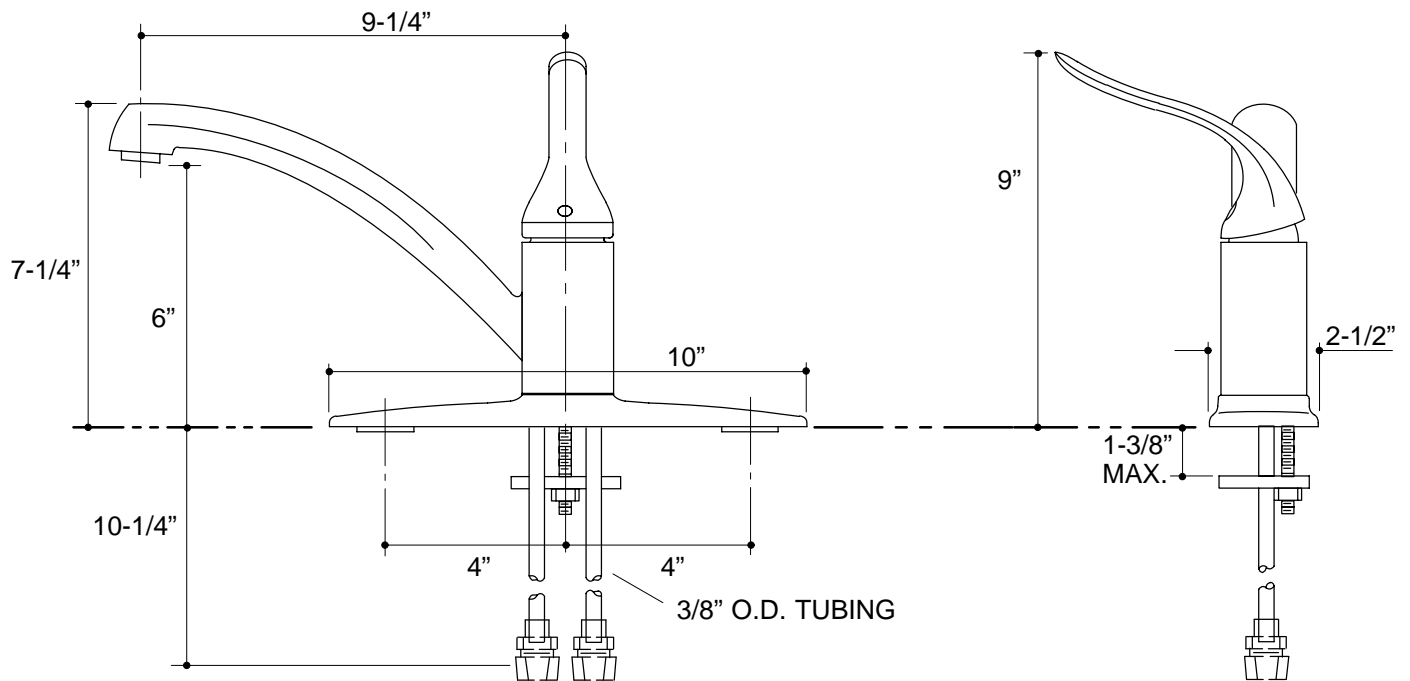
- CP Polished Chrome
- PB Polished Brass
- Other Refer to Faucets Price Book for additional finishes

SPECIFIED MODEL:

Model	Description			
K-15071-P	Coralais Kitchen Sink Faucet	<input type="checkbox"/> CP	<input type="checkbox"/> PB	<input type="checkbox"/> Other____

PRODUCT SPECIFICATION:

Single-control kitchen sink faucet shall be of metal construction. The valve shall be a one-piece, self-contained ceramic disc valve, and allows both volume and temperature control. The valve shall feature temperature memory, allowing the faucet to be turned on and off at any temperature setting, and includes a high-temperature limit stop. Product shall include 8" centers, 9-1/4" swing spout, lever handle, and ground joint connections. Faucet shall be Kohler Model K-15071-P-_____.



14

PRODUCT DIAGRAM