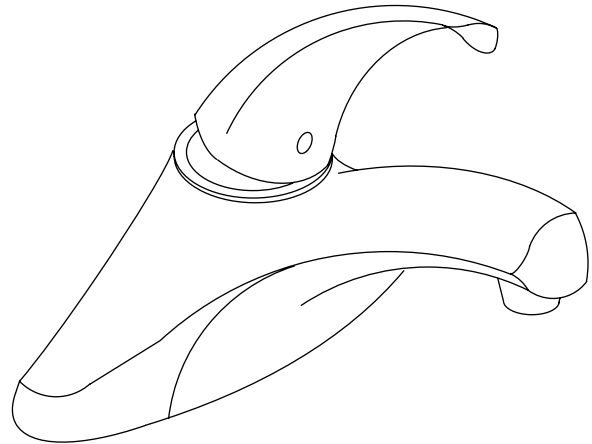


**LAVATORY FAUCET
K-15199**

Features

- Metal construction
- One-piece, self-contained ceramic disc valve allows both volume and temperature control
- Temperature memory allows faucet to be turned on and off at any temperature setting
- High-temperature limit stop for added safety
- 2.0 gallons (7.5 L) per minute
- Front lever handle
- Metal throatplate
- Available with flexible connections or ground joints
- For 4" (10.2 cm) centers
- 4-1/4" (10.8 cm) spout



Codes/Standards Applicable

Specified model meets or exceeds the following:

- ASME A112.18.1
- IAPMO/UPC
- NSF 61
- Energy Policy Act of 1992 (EPACT)
- CSA B125
- ADA

Colors/Finishes

- CP: Polished Chrome

Specified Model

Model	Description	Colors/Finishes
K-15199-F	Coralais® lavatory faucet with flexible connections	<input type="checkbox"/> CP
K-15199-P	Coralais® lavatory faucet with ground joint connections	<input type="checkbox"/> CP

Product Specification

Single-control centerset lavatory faucet shall be of metal construction. The valve shall be a one-piece, self-contained ceramic disc valve, and allows both volume and temperature control. The valve shall feature temperature memory, allowing the faucet to be turned on and off at any temperature setting, and includes a high-temperature limit stop. Product shall be less drain. Product shall include 4" (10.2 cm) centers, 4-1/4" (10.8 cm) spout, lift rod hole with plug, and lever handle. Product shall be available with either flexible or ground joint connections. Faucet shall be Kohler Model K-15199-_____-CP.

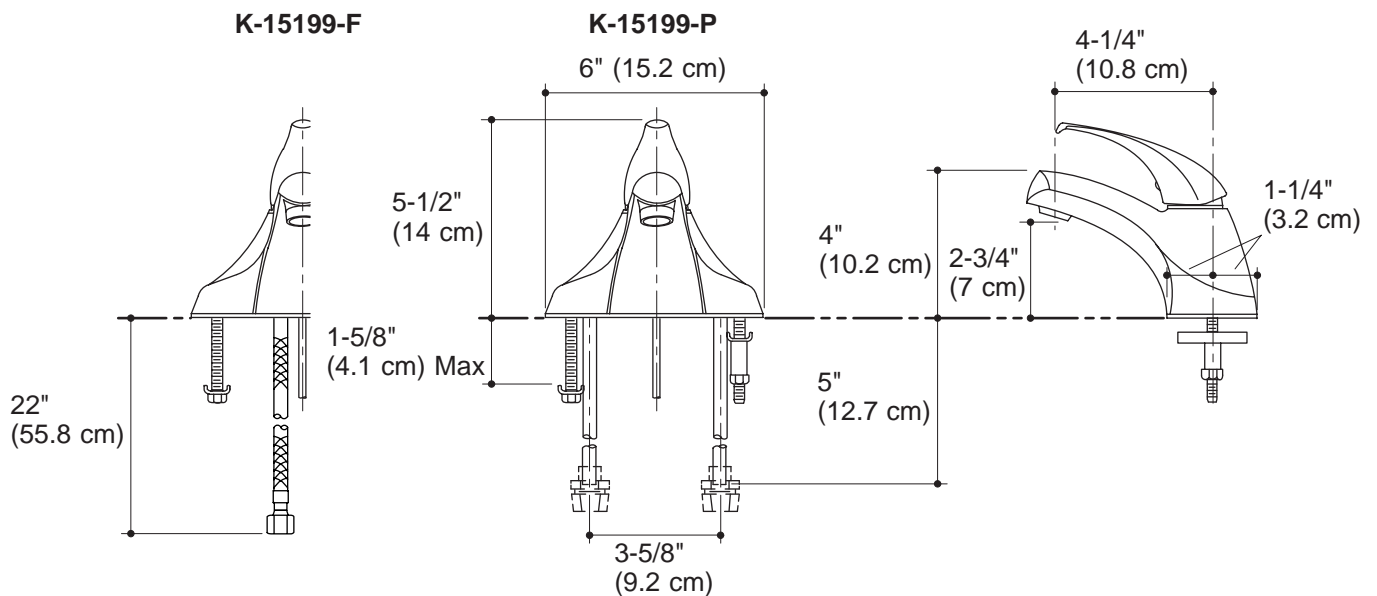
CORALAIS®

Technical Information

Applicable faucet:	
With flexible connections	K-15199-F
With ground joint connections	K-15199-P
Handle is ADA compliant.	ADA

Installation Notes

Install this product according to the installation guide.



Product Diagram