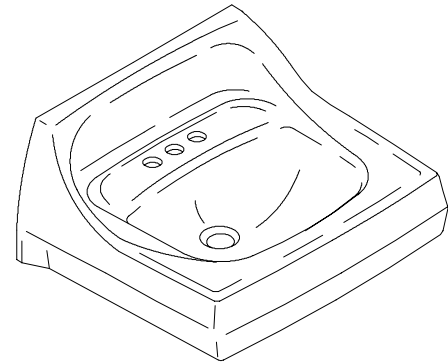


WALL-MOUNT LAVATORY

K-2005, K-2006 K-2007

ADA



FEATURES

- 21-1/4" (54cm) x 18-1/8" (46cm)
- Vitreous China
- Wall-Mount
- With hanger
- 4" (10.2cm) centers (K-2005), 8" (20.3cm) centers (K-2006), or single-hole (K-2007) drilling
- With overflow
- ADA compliant
- Drilled for concealed arm carrier
- Optional soap dispenser hole on left (-L) or right (-R)

CODES/STANDARDS APPLICABLE

Specified model meets or exceeds the following:

- ADA
- ASME A112.19.2
- CABO/ANSI A117.1
- IAPMO/UPC
- CSA B45
- State of Massachusetts

COLORS/FINISHES

- 0 White
- Other Refer to Price Book for additional colors

Accessories:

- CP Polished Chrome
- Other Refer to Price Book for additional finishes

SPECIFIED MODEL:

Model	Description	Colors/Finishes	
K-2005	4" (10.2cm) centers lavatory less soap dispenser hole	<input type="checkbox"/> 0 White	<input type="checkbox"/> Other _____
K-2005-L	4" (10.2cm) centers lavatory with soap dispenser hole on left	<input type="checkbox"/> 0 White	<input type="checkbox"/> Other _____
K-2005-R	4" (10.2cm) centers lavatory with soap dispenser hole on right	<input type="checkbox"/> 0 White	<input type="checkbox"/> Other _____
K-2006	8" (20.3cm) centers lavatory less soap dispenser hole	<input type="checkbox"/> 0 White	<input type="checkbox"/> Other _____
K-2007	Single-hole lavatory less soap dispenser hole	<input type="checkbox"/> 0 White	<input type="checkbox"/> Other _____
K-2007-L	Single-hole lavatory with soap dispenser hole on left	<input type="checkbox"/> 0 White	<input type="checkbox"/> Other _____
K-2007-R	Single-hole lavatory with soap dispenser hole on right	<input type="checkbox"/> 0 White	<input type="checkbox"/> Other _____

Recommended Accessories			
K-8998	Trap	<input type="checkbox"/> CP	<input type="checkbox"/> Other _____

PRODUCT SPECIFICATION:

The lavatory with back shall be 21-1/4" (54cm) in length, and 18-1/8" (46cm) in width. Lavatory shall be made of vitreous china. Lavatory shall be wall-mounted with wall hangers. Lavatory shall have 4" (10.2cm) centers (K-2005), 8" (20.3cm) centers (K-2006), or single-hole (K-2007) drilling. Lavatory shall have overflow. Lavatory shall be ADA compliant. Lavatory shall be drilled for concealed arm carrier. Lavatory shall have optional soap dispenser hole on left (-L) or right (-R). Lavatory shall be Kohler Model K-_____ - _____ - _____.

PRODUCT INFORMATION

Fixture*:		basin area	water depth
Lavatory		16" (40.6cm) x 10" (25.4cm)	3-1/8" (7.9cm)
Drain Hole	1-3/4" D. (4.4cm)		

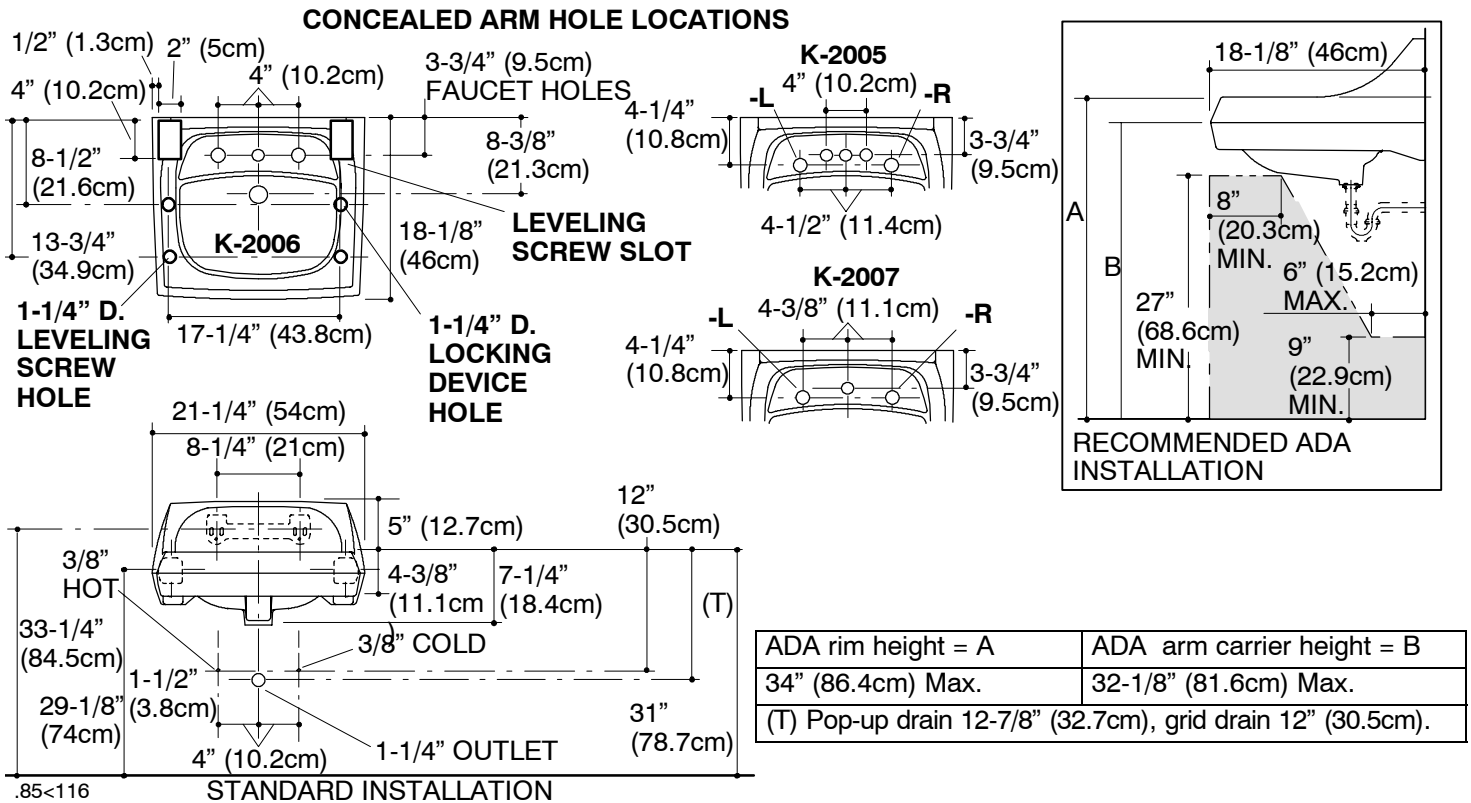
Holes	K-2005	K-2006	K-2007
Spout	1-1/4" D. (3.2cm)	1-3/8" D. (3.5cm)	1-3/8" D. (3.5cm)
Faucet	1-1/4" D. (3.2cm)	1-3/8" D. (3.5cm)	
Soap dispenser	1-1/4" D. (3.2cm)		1-1/4" D. (3.2cm)

Included Components:	
Hanger	64839

Installation Notes

Install this product according to the installation guide. Fixture dimensions are nominal and conform to tolerances in ASME Standard A112.19.2.

Concealed arm carrier **NOT** supplied by Kohler Co. Supplied hanger not used with concealed arm carrier.



PRODUCT DIAGRAM