

FEATURES

- 20-3/4" (52.7cm) x 18-1/4" (46.4cm)
- Vitreous china
- Wall-mount
- 8" (20.3cm) centers (K-2030)
- With overflow
- ADA compliant
- With hanger
- Drilled for concealed arm carrier
- Optional soap dispenser hole on left (-L) or right (-R)

CODES/STANDARDS APPLICABLE

Specified model meets or exceeds the following:

- ADA
- ASME/ANSI A112.19.2M
- CABO/ANSI A117.1
- IAPMO/UPC
- Canadian Standards Association (CSA)
- State of Massachusetts

COLORS/FINISHES

- 0 White
- Other Refer to Fixtures Price Book for additional colors

Accessories:

- CP Polished Chrome
- Other Refer to Faucets Price Book for additional finishes

SPECIFIED MODEL:

Model	Description	Colors/Finishes	
K-2030	8" (20.3cm) centers lavatory less soap dispenser hole	<input type="checkbox"/> 0 White	<input type="checkbox"/> Other_____
K-2030-L	8" (20.3cm) centers lavatory with soap dispenser hole on left	<input type="checkbox"/> 0 White	<input type="checkbox"/> Other_____
K-2030-R	8" (20.3cm) centers lavatory with soap dispenser hole on right	<input type="checkbox"/> 0 White	<input type="checkbox"/> Other_____
K-2030-N	8" (20.3cm) centers lavatory less overflow	<input type="checkbox"/> 0 White	<input type="checkbox"/> Other_____
K-2030-NL	8" (20.3cm) centers lavatory with soap dispenser hole on left less overflow	<input type="checkbox"/> 0 White	<input type="checkbox"/> Other_____
K-2030-NR	8" (20.3cm) centers lavatory with soap dispenser hole on right less overflow	<input type="checkbox"/> 0 White	<input type="checkbox"/> Other_____

Recommended Accessories			
K-8998	Trap	<input type="checkbox"/> CP	<input type="checkbox"/> Other_____

PRODUCT SPECIFICATION:

The lavatory with back shall be 20-3/4" (52.7cm) in length, and 18-1/4" (46.4cm) in width. Lavatory shall be made of vitreous china. Lavatory shall be wall-mount with hanger. Lavatory shall have 8" centers drilling. Lavatory shall have overflow. Lavatory shall be ADA compliant. Lavatory shall be drilled for concealed arm carrier. Lavatory shall have optional soap dispenser hole on left (-L) or right (-R). Lavatory shall be Kohler Model K-2030-_____-_____.

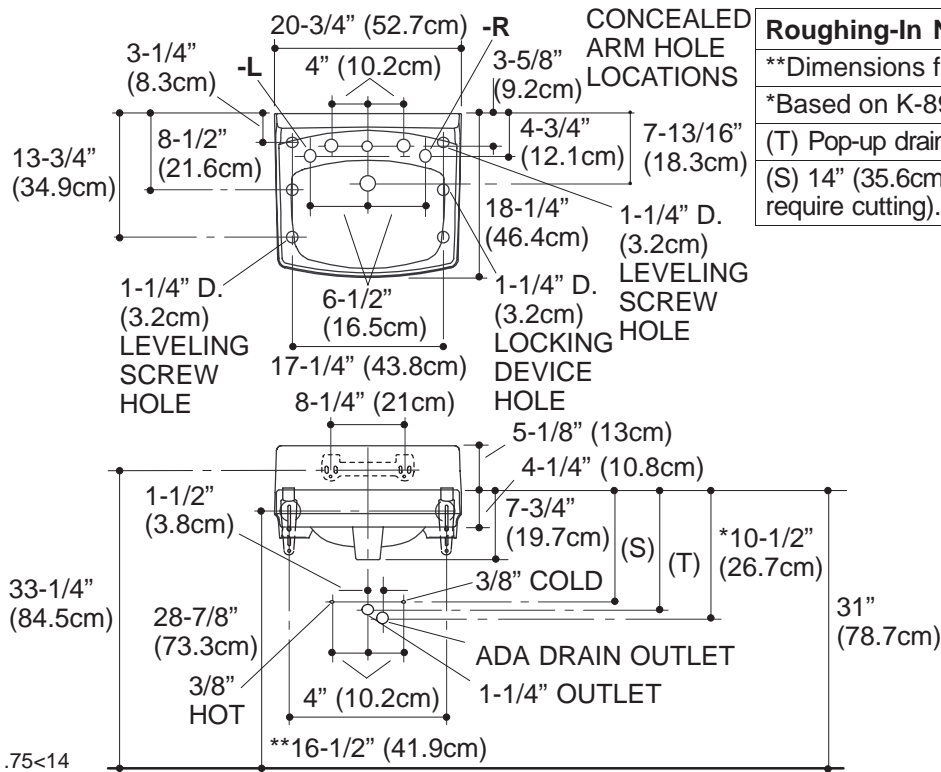
PRODUCT INFORMATION

ADA compliant.			
Fixture*:		basin area	water depth
Lavatory		15" (38.1cm) x 10" (25.4cm)	3-1/4" (8.3cm)
Outlet	1-3/4" D. (4.4cm)		
* Approximate measurements for comparison only.			
Spout hole	Faucet holes	Soap dispenser hole	
1-3/8" D. (3.5cm)	1-3/8" D. (3.5cm)	1-1/4" D. (3.2cm)	
Included Components:			
Hanger			64839
Supplied hanger not used with concealed arm carrier.			

INSTALLATION NOTES

Refer to installation instructions included with fixture before beginning installation.

Concealed arm carrier required, **NOT** supplied by Kohler Co.



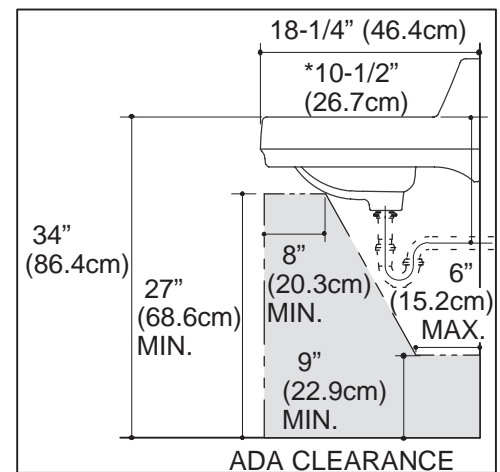
ROUGHING-IN NOTES

**Dimensions from centerline to centerline of brackets.

*Based on K-8998, with 1" (2.5cm) tailpiece exposed.

(T) Pop-up drain 13-3/8" (34cm), grid drain 12-1/2" (31.8cm).

(S) 14" (35.6cm) (Based on 12" (30.5cm) riser which may require cutting).



PRODUCT DIAGRAM