

COUNTERTOP LAVATORY K-2196

ADA

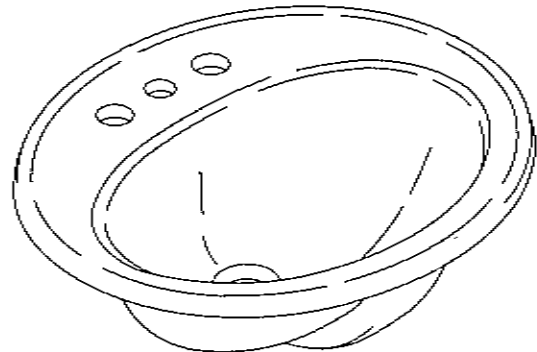
Features

- Vitreous china
- Self-rimming
- ADA compliant when installed in a 21" (53.3 cm) minimum depth countertop
- Optional soap dispenser hole on left (-L) or right (-R)
- With or without overflow
- 4" (10.2 cm) centers
- 20-1/4" (51.4 cm) x 17-1/2" (44.5 cm)

Codes/Standards Applicable

Specified model meets or exceeds the following:

- ADA
- ASME A112.19.2
- CABO/ANSI A117.1
- IAPMO/UPC
- Listed in State of Massachusetts
- CSA International



Colors/Finishes

- 0: White
- Other: Refer to Price Book for additional colors/finishes

Accessories:

- CP: Polished Chrome

Specified Model

Model	Description	Colors/Finishes	
K-2196-4	4" (10.2 cm) centers; less soap dispenser hole; with overflow	<input type="checkbox"/> 0 White	<input type="checkbox"/> Other _____
K-2196-4L	4" (10.2 cm) centers; with soap dispenser hole on left; with overflow	<input type="checkbox"/> 0 White	<input type="checkbox"/> Other _____
K-2196-4R	4" (10.2 cm) centers; with soap dispenser hole on right; with overflow	<input type="checkbox"/> 0 White	<input type="checkbox"/> Other _____
K-2196-4N	4" (10.2 cm) centers; less soap dispenser hole; less overflow	<input type="checkbox"/> 0 White	<input type="checkbox"/> Other _____
K-2196-4K	4" (10.2 cm) centers; with soap dispenser hole on left; less overflow	<input type="checkbox"/> 0 White	<input type="checkbox"/> Other _____
K-2196-4F	4" (10.2 cm) centers; with soap dispenser hole on right; less overflow	<input type="checkbox"/> 0 White	<input type="checkbox"/> Other _____

Recommended Accessory		
K-8998	P-Trap	<input type="checkbox"/> CP

Product Specification

The self-rimming lavatory shall be 20-1/4" (51.4 cm) in length, and 17-1/2" (44.5 cm) in width. Lavatory shall be made of vitreous china. Lavatory shall have 4" (10.2 cm) centers drilling. Lavatory shall be ADA compliant when installed in a 21" (53.3 cm) minimum depth countertop. Lavatory shall be with or without overflow. Lavatory shall feature optional soap dispenser hole (-L, left or -R, right). Lavatory shall be Kohler Model K-2196-_____-_____-_____.

PENNINGTON™

Technical Information

ADA compliant			
Fixture:*		basin area	water depth
Lavatory		16" (40.6 cm) x 11" (27.9 cm)	4" (10.2 cm)
Drain hole	1-3/4" D. (4.4 cm)		
* Approximate measurements for comparison only.			

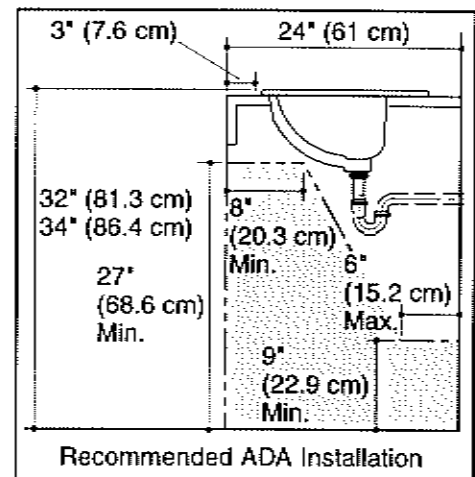
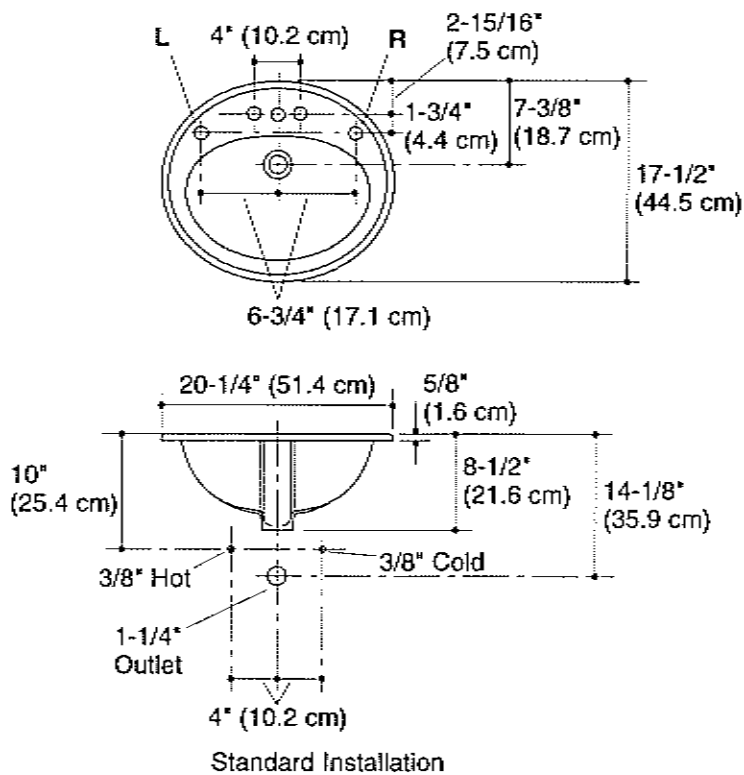
Holes	Spout	Faucet	Soap dispenser
	1-1/4" D. (3.2 cm)	1-1/4" D. (3.2 cm)	1-1/4" D. (3.2 cm)

Included Components:	
Cutout template	113805-7

Installation Notes

Install this product according to the installation guide.

NOTICE: Countertop manufacturer or cutter **must** use the cutout template provided with the product, or a current one provided by Kohler Co. (call 1-800-4-KOHLER). Kohler Co. is not responsible for cutout errors when the incorrect cutout template is used.



Product Diagram

PENNINGTON™ COUNTERTOP LAVATORY

Page 2 of 2
1007354-4-C

THE BOLD LOOK
OF **KOHLER**®