

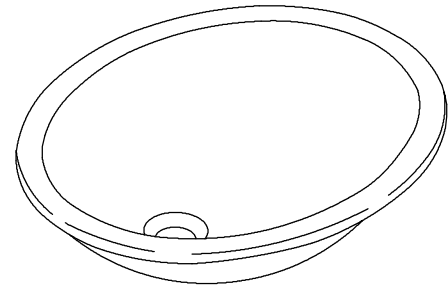
### UNDERCOUNTER LAVATORY

# K-2209, K-2210, K-2211

ADA

#### FEATURES

- 15" (38.1cm) x 12" (30.5cm) (K-2209)
- 17" (43.2cm) x 14" (35.6cm) (K-2210)
- 19" (48.3cm) x 15" (38.1cm) (K-2211)
- Vitreous china
- Undercounter
- With overflow
- ADA compliant
- Includes 52047 clamp assembly



#### CODES/STANDARDS APPLICABLE

Specified model meets or exceeds the following:

- ADA
- ASME/ANSI A112.19.2M
- CABO/ANSI A117.1
- IAPMO/UPC
- Canadian Standards Association (CSA)
- State of Massachusetts

#### COLORS/FINISHES

- 0 White
- Other Refer to Price Book for additional colors

#### Accessories:

- CP Polished Chrome
- Other Refer to Price Book for additional finishes

#### SPECIFIED MODEL:

Model	Description	Colors/Finishes	
K-2209	15" (38.1cm) x 12" (30.5cm) lavatory	<input type="checkbox"/> 0 White	<input type="checkbox"/> Other _____
K-2210	17" (43.2cm) x 14" (35.6cm) lavatory	<input type="checkbox"/> 0 White	<input type="checkbox"/> Other _____
K-2210-G	17" (43.2cm) x 14" (35.6cm) lavatory with glazed underside without overflow	<input type="checkbox"/> 0 White	<input type="checkbox"/> Other _____
K-2210-N	17" (43.2cm) x 14" (35.6cm) lavatory without overflow	<input type="checkbox"/> 0 White	<input type="checkbox"/> Other _____
K-2211	19" (48.3cm) x 15" (38.1cm) lavatory	<input type="checkbox"/> 0 White	<input type="checkbox"/> Other _____
K-2211-G	19" (48.3cm) x 15" (38.1cm) lavatory with glazed underside without overflow	<input type="checkbox"/> 0 White	<input type="checkbox"/> Other _____

Recommended Accessories			
K-8998	Trap	<input type="checkbox"/> CP	<input type="checkbox"/> Other _____

#### PRODUCT SPECIFICATION:

The undercounter lavatory shall be 15" (38.1cm) in length, and 12" (30.5cm) in width (K-2209), 17" (43.2cm) in length, and 14" (35.6cm) in width (K-2210), or 19" (48.3cm) in length, and 15" (38.1cm) in width (K-2211). Lavatory shall be made of vitreous china. Lavatory shall have overflow. Lavatory shall be ADA compliant. Lavatory shall include 52047 clamp assembly. Lavatory shall be Kohler Model K-\_\_\_\_\_-\_\_\_\_\_.

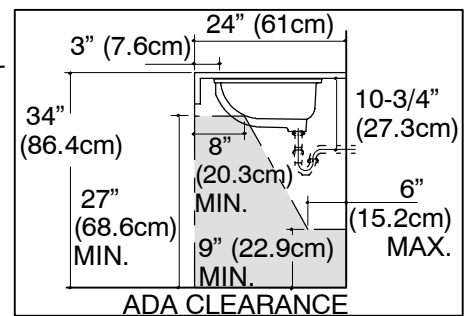
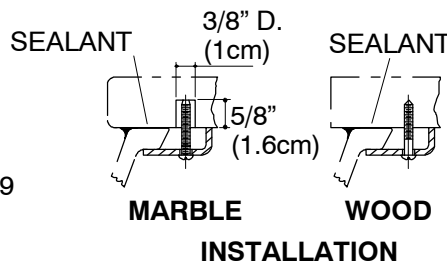
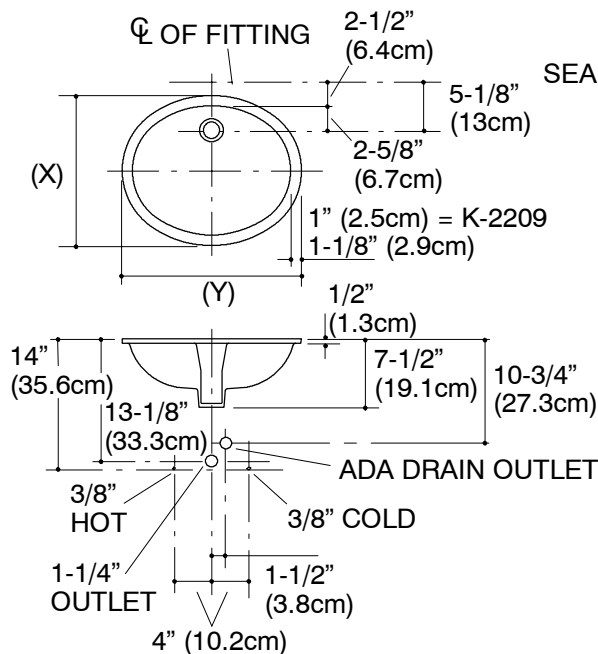
## PRODUCT INFORMATION

ADA compliant.			
Fixture*:		basin area	water depth
K-2209		15" (38.1cm) x 12" (30.5cm)	4" (10.2cm)
K-2210/ K-2210-N		17" (43.2cm) x 14" (35.6cm)	4" (10.2cm)
K-2211		19" (48.3cm) x 15" (38.1cm)	4" (10.2cm)
Outlet	1-3/4" D. (4.4cm)		
* Approximate measurements for comparison only.			

Included Components:	
Basin clamp assembly	52047
Adhesive sealant	63034
Cutout template, K-2209	85838-7
Cutout template, K-2210	1002975-7
Cutout template, K-2211	1018997-7

## INSTALLATION NOTES

Install this product according to the installation guide. Supplied basin clamp assemblies require 1" (2.5cm) minimum countertop thickness. Installer must supply anchors for thinner countertops.



### Roughing-In Notes

K-2209: (X)=14" (35.6cm), (Y)=17" (43.2cm).

K-2210: (X)=16-1/4" (41.3cm), (Y)=19-1/4" (48.9cm).

K-2211: (X)=17-1/4" (43.8cm), (Y)=21-1/4" (54cm).

## PRODUCT DIAGRAM