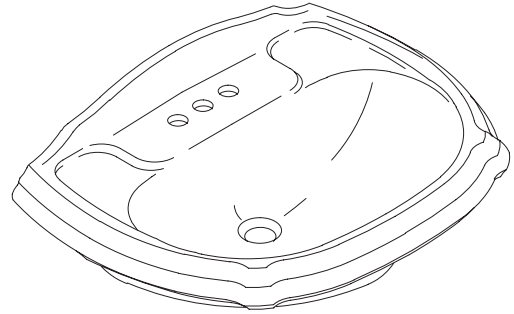


WALL-MOUNT LAVATORY

K-2272-4

FEATURES

- 19-3/4" (50.2cm) x 15-1/8" (38.4cm)
- Vitreous china
- Wall-mount
- 4" (10.2cm) centers



CODES/STANDARDS APPLICABLE

Specified model meets or exceeds the following:

- ASME/ANSI A112.19.2M
- IAPMO/UPC

COLORS/FINISHES

- 0 White
- Other Refer to Fixtures Price Book for additional colors

Accessories:

- CP Polished Chrome
- Other Refer to Faucets Price Book for additional finishes

SPECIFIED MODEL:

Model	Description	Colors/Finishes	
K-2272-4	4" (10.2cm) centers lavatory	<input type="checkbox"/> 0 White	<input type="checkbox"/> Other _____
Recommended Accessories			
K-7605-P	Lavatory supplies 3/8" (pair)	<input type="checkbox"/> CP	<input type="checkbox"/> Other _____
K-8998	Trap	<input type="checkbox"/> CP	<input type="checkbox"/> Other _____

PRODUCT SPECIFICATION:

The wall-mount lavatory shall be 19-3/4 (50.2cm) in length and 15-1/8" (38.4cm) in width. Lavatory shall be made of vitreous china. Lavatory shall have 4" centers. Lavatory shall be Kohler Model K- _____ - _____ - _____.

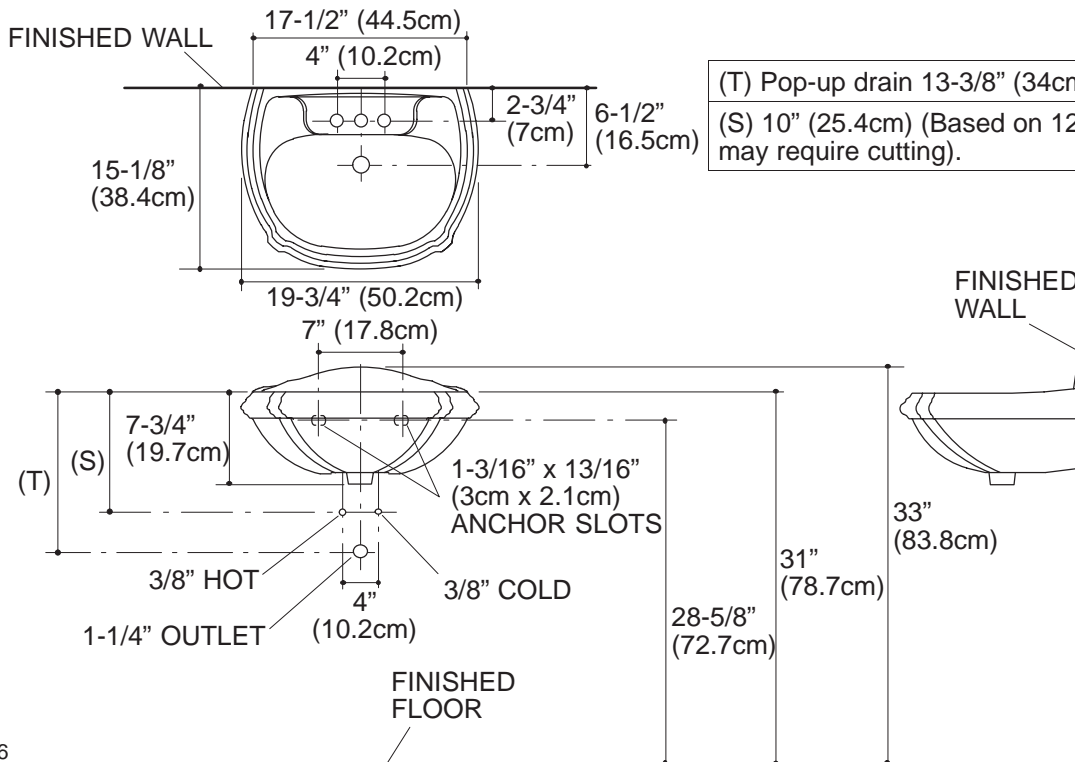
PORTRAIT™

PRODUCT INFORMATION

Fixture*:		basin area	water depth
Lavatory		16" (40.6cm) x 9" (22.9cm)	5-1/2" (14cm)
Drain hole	1-3/4" D. (4.4cm)		
* Approximate measurements for comparison only.			
Holes	K-2272-4		
Spout	1-1/4" D. (3.2cm)		
Faucet	1-1/4" D. (3.2cm)		
Included Components:			
Accessory pack	81603		

INSTALLATION NOTES

Install this product according to the installation guide.



116

PRODUCT DIAGRAM