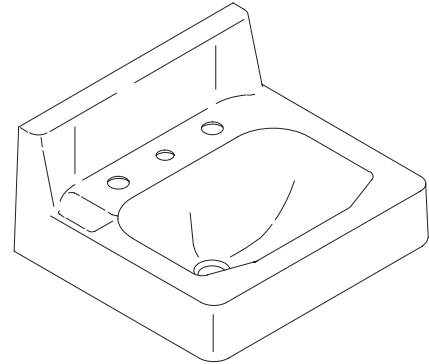


WALL-MOUNT LAVATORY

K-2805, K-2861, K-2863

ADA



FEATURES

- 19" (48.3cm) x 17" (43.2cm)
- Cast iron
- Wall-mount
- 8" (20.3cm) centers (K-2863), 4" (10.2cm) centers (K-2861), or single-hole (K-2805) drilling
- With overflow
- ADA compliant
- Optional soap dispenser hole on left (-L) or right (-R)
- Optional thru bolt holes (-B)

CODES/STANDARDS APPLICABLE

Specified model meets or exceeds the following:

- ADA
- ASME/ANSI A112.19.2M
- CABO/ANSI A117.1
- IAPMO/UPC
- CSA International B45
- State of Massachusetts

HOLE OPTIONS

- L Soap dispenser hole on left
- R Soap dispenser hole on right
- B Thru bolt holes

COLORS/FINISHES

- 0 White
- Other Refer to Fixtures Price Book for additional colors

Accessories:

- CP Polished Chrome
- Other Refer to Faucets Price Book for additional finishes

SPECIFIED MODEL:

Model	Description	Hole Options			Colors	
		-L	-R	-B	0 White	Other
K-2805	Single-hole lavatory	<input type="checkbox"/>	<input type="checkbox"/>	<input type="checkbox"/>	<input type="checkbox"/>	<input type="checkbox"/>
K-2861	4" (10.2cm) centers lavatory	<input type="checkbox"/>	<input type="checkbox"/>	<input type="checkbox"/>	<input type="checkbox"/>	<input type="checkbox"/>
K-2863	8" (20.3cm) centers lavatory	<input type="checkbox"/>	<input type="checkbox"/>	<input type="checkbox"/>	<input type="checkbox"/>	<input type="checkbox"/>

Recommended Accessories

K-8998	Trap	<input type="checkbox"/> CP	<input type="checkbox"/> Other_____
--------	------	-----------------------------	-------------------------------------

PRODUCT SPECIFICATION:

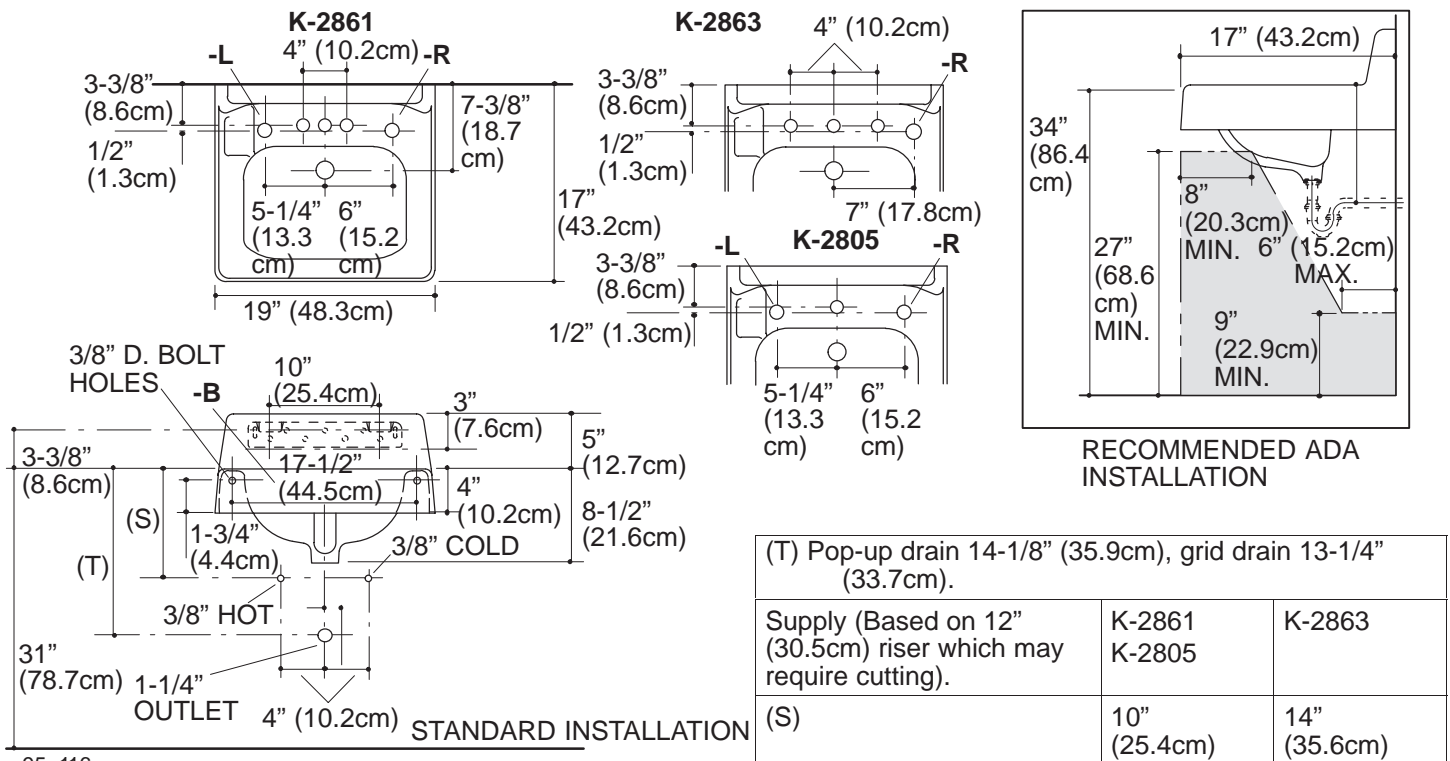
The wall-mount lavatory with back, shall be 19" (48.3cm) in length, and 17" (43.2cm) in width. Lavatory shall be made of cast iron. Lavatory shall have 8" (20.3cm) centers (K-2863), 4" (10.2cm) centers (K-2861), or single-hole (K-2805) drilling. Lavatory shall have overflow. Lavatory shall be ADA compliant. Lavatory shall have soap dispenser hole on left (-L) or right (-R). Lavatory shall have thru bolt holes (-B). Lavatory shall be Kohler Model K-_____-_____-_____.

PRODUCT INFORMATION

ADA compliant.			
Fixture*:		basin area	water depth
Lavatory		15" (38.1cm) x 10" (25.4cm)	5" (12.7cm)
Drain hole	1-11/16" D. (4.3cm)		
* Approximate measurements for comparison only.			

Holes	K-2863	K-2861	K-2805
Spout	1-1/8" D. (2.9cm)	1-1/8" D. (2.9cm)	1-3/8" D. (3.5cm)
Faucet	1-3/8" D. (3.5cm)	1-3/16" D. (3cm)	

Soap dispenser	1-1/4" D. (3.2cm)
Included Components:	
Hanger	64503



.95<116

PRODUCT DIAGRAM