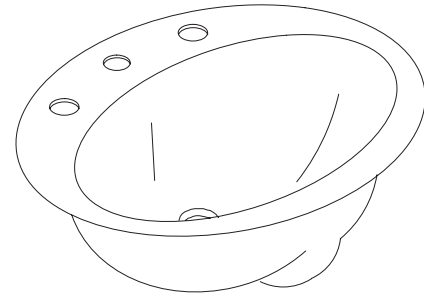


FEATURES

- 19-1/4" (48.9cm) x 16-1/4" (41.3cm)
- Cast iron
- Self-rimming
- 8" (20.3cm) centers (K-2905-8), 4" (10.2cm) centers (K-2905-4) or single-hole (K-2905-1)
- With overflow
- ADA compliant when installed in a 21" (53.3cm) minimum depth countertop
- Optional soap dispenser hole on left (-L) or right (-R)



CODES/STANDARDS APPLICABLE

Specified model meets or exceeds the following:

- ADA
- ASME/ANSI A112.19.2M
- CABO/ANSI A117.1
- IAPMO/UPC
- Canadian Standards Association (CSA)
- State of Massachusetts

COLORS/FINISHES

- 0 White
- Other Refer to Fixtures Price Book for additional colors

Accessories:

- CP Polished Chrome
- Other Refer to Faucets Price Book for additional finishes

SPECIFIED MODEL:

Model	Description	Colors/Finishes	
K-2905-8	8" (20.3cm) centers lavatory less soap dispenser hole	<input type="checkbox"/> 0 White	<input type="checkbox"/> Other_____
K-2905-8L	8" (20.3cm) centers lavatory with soap dispenser hole on left	<input type="checkbox"/> 0 White	<input type="checkbox"/> Other_____
K-2905-8R	8" (20.3cm) centers lavatory with soap dispenser hole on right	<input type="checkbox"/> 0 White	<input type="checkbox"/> Other_____
K-2905-4	4" (10.2cm) centers lavatory less soap dispenser hole	<input type="checkbox"/> 0 White	<input type="checkbox"/> Other_____
K-2905-4L	4" (10.2cm) centers lavatory with soap dispenser hole on left	<input type="checkbox"/> 0 White	<input type="checkbox"/> Other_____
K-2905-4R	4" (10.2cm) centers lavatory with soap dispenser hole on right	<input type="checkbox"/> 0 White	<input type="checkbox"/> Other_____
K-2905-1	Single-hole lavatory less soap dispenser hole	<input type="checkbox"/> 0 White	<input type="checkbox"/> Other_____
K-2905-1L	Single-hole lavatory with soap dispenser hole on left	<input type="checkbox"/> 0 White	<input type="checkbox"/> Other_____
K-2905-1R	Single-hole lavatory with soap dispenser hole on right	<input type="checkbox"/> 0 White	<input type="checkbox"/> Other_____

Recommended Accessories

K-8998	Trap	<input type="checkbox"/> CP	<input type="checkbox"/> Other_____
--------	------	-----------------------------	-------------------------------------

PRODUCT SPECIFICATION:

The self-rimming lavatory shall be 19-1/4" (48.9cm) in length, and 16-1/4" (41.3cm) in width. Lavatory shall be made of cast iron. Lavatory shall have 8" (20.3cm) centers (K-2905-8), 4" (10.2cm) centers (K-2905-4), or single-hole (K-2905-1) drilling. Lavatory shall have overflow. Lavatory shall be ADA compliant when installed in a 21" (53.3cm) minimum depth countertop. Lavatory shall have optional soap dispenser hole on left (-L) or right (-R). Lavatory shall be Kohler Model K-2905-_____-_____.

PRODUCT INFORMATION

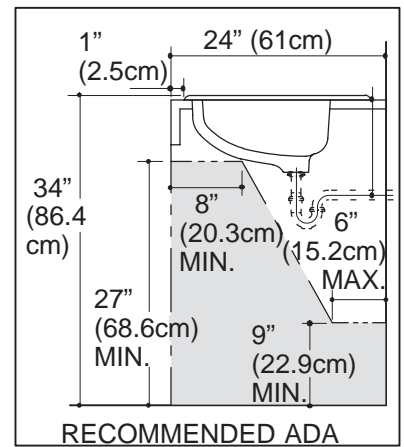
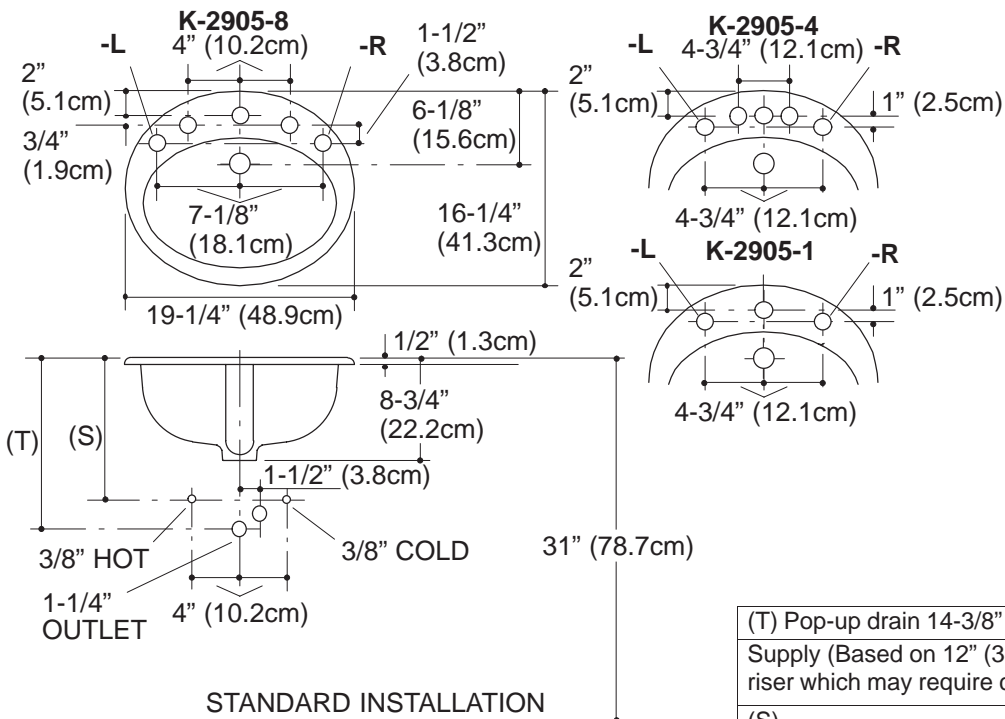
ADA compliant.			
Fixture*:		basin area	water depth
Lavatory		16" (40.6cm) x 11" (27.9cm)	5" (12.7cm)
Drain hole	1-11/16" D. (4.3cm)		
* Approximate measurements for comparison only.			
Holes	K-2905-8	K-2905-4	K-2905-1
Spout	1-1/8" D. (2.9cm)	1-1/8" D. (2.9cm)	1-3/8" D. (3.5cm)
Faucet	1-3/8" D. (3.5cm)	1-3/16" D. (3cm)	
Soap dispenser			1-1/4" (3.2cm)
Included Components:			
Overflow ferrule			84896
Cutout template			1002973-7

INSTALLATION NOTES

Install this product according to the installation guide.

Fixture dimensions are nominal and conform to tolerances in ASME Standard A112.19.1M.

NOTICE: Countertop manufacturer or cutter **must** use the cut-out template provided with the product, or a current one provided by Kohler Co. (call 1-800-43-FOCUS). Kohler Co. is not responsible for cut-out errors when the incorrect cut-out template is used.



RECOMMENDED ADA INSTALLATION

(T) Pop-up drain 14-3/8" (36.5cm), grid drain 13-1/2" (34.3cm).		
Supply (Based on 12" (30.5cm) riser which may require cutting).	K-2905-4 K-2905-1	K-2905-8
(S)	10" (25.4cm)	14" (35.6cm)

PRODUCT DIAGRAM