

SELF-RIMMING KITCHEN SINK

K-3288

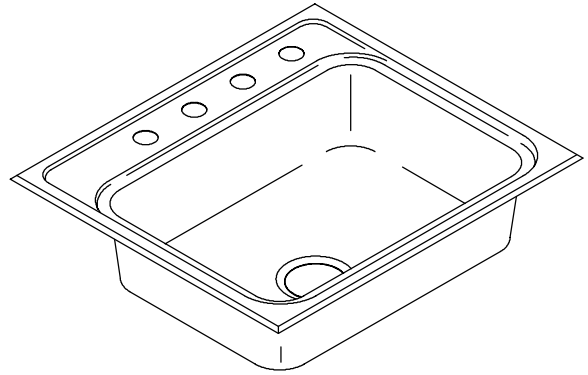
FEATURES

- 25" (63.5cm) x 22" (55.9cm)
- 19 gauge stainless steel
- Self-rimming
- Single compartment
- Includes installation hardware
- Highlighted bowl bead

CODES/STANDARDS APPLICABLE

Specified model meets or exceeds the following:

- IAPMO/UPC
- Canadian Standards Association (CSA)
- ASME/ANSI A112.19.3M



COLORS/FINISHES

- NA None Applicable

Accessories:

- CP Polished Chrome
- NA None Applicable
- Other Refer to Price Book for additional finishes

SPECIFIED MODEL:

Model	Description	Colors/Finishes	
K-3288-3	3-hole sink	<input type="checkbox"/> NA	
K-3288-4	4-hole sink	<input type="checkbox"/> NA	
Optional Accessories			
K-3293	Hardwood cutting board	<input type="checkbox"/> NA	
K-8801	Duostrainer sink strainer	<input type="checkbox"/> CP	<input type="checkbox"/> Other _____

PRODUCT SPECIFICATION:

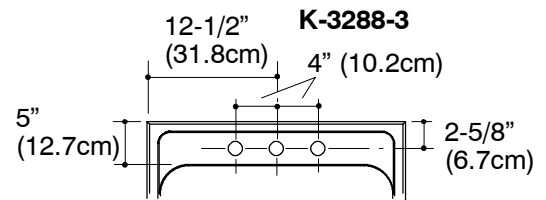
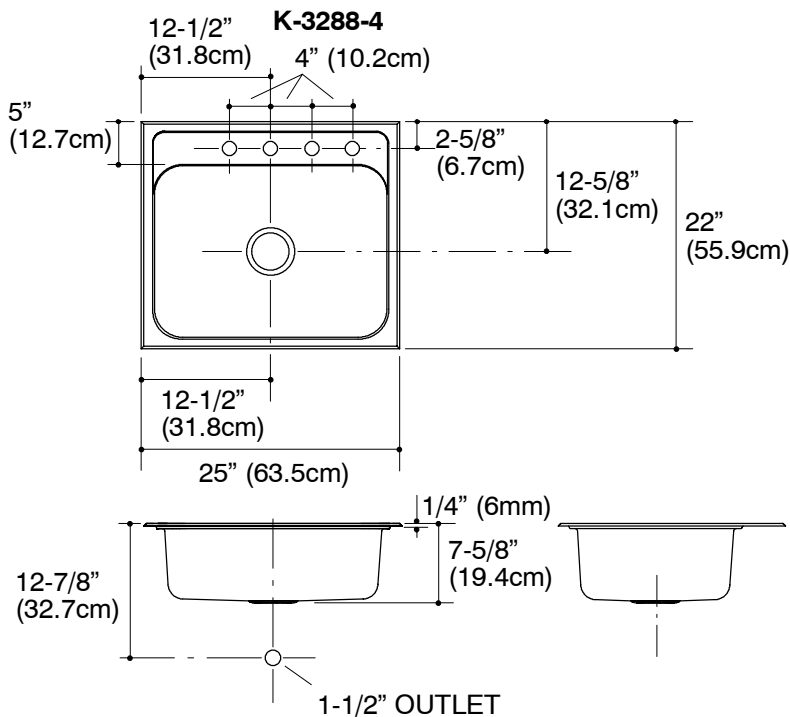
The self-rimming sink shall be 25" (63.5cm) in length, and 22" (55.9cm) in width. Sink shall be made of 19 gauge stainless steel. Sink shall be single compartment. Sink shall include installation hardware. Sink shall have highlighted bowl bead. Sink shall be Kohler Model K-3288-_____ - _____.

PRODUCT INFORMATION

Fixture*:		basin area	water depth
Sink		21" (53.3cm) x 15" (38.1cm)	7" (17.8cm)
Outlet	3-5/8" D. (9.2cm)		
Faucet holes	1-7/16" D. (3.7cm)		
* Approximate measurements for comparison only.			

INSTALLATION NOTES

Install this product according to the installation guide.
 Cutout is 24-1/2" (62.2cm) x 21-1/2" (54.6cm) with 1/2" radius (1.3cm) corners.



PRODUCT DIAGRAM