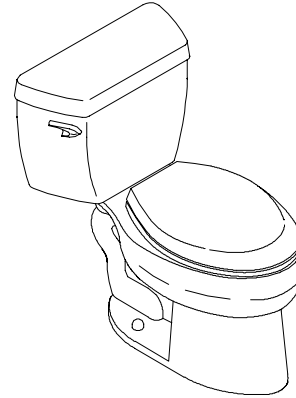


FEATURES

- Vitreous china
- Elongated bowl
- 1.6 gpf (6 lpf)
- 2" (5cm) glazed trapway
- Ingenium™ flushing system
- Combination toilet
- Includes polished chrome trip lever
- Less seat and supply
- With right-hand trip lever (-RA)
- With bedpan lugs (-L)
- With Insuliner® insulated tank lining (-U)
- With tank cover locks (-T)



CODES/STANDARDS APPLICABLE

Specified model meets or exceeds the following:

- ASME A112.19.2
- ASME A112.19.6
- Energy Policy Act of 1992 (EPACT)
- IAPMO/UPC
- CSA B45

COLORS/FINISHES

- 0 White
- Other Refer to Fixtures Price Book for additional colors

Accessories:

- 0 White
- CP Polished Chrome
- PB Polished Brass
- Other Refer to Fixtures Price Book for additional colors

SPECIFIED MODEL:

Model	Description	Colors/Finishes	
K-3422	Elongated bowl toilet (left-hand trip lever)	<input type="checkbox"/> 0 White	<input type="checkbox"/> Other _____
K-3422-T	Toilet with tank cover locks (left-hand trip lever)	<input type="checkbox"/> 0 White	<input type="checkbox"/> Other _____
K-3422-U	Toilet with Insuliner tank (left-hand trip lever)	<input type="checkbox"/> 0 White	<input type="checkbox"/> Other _____
K-3422-UT	Toilet with Insuliner tank & tank cover locks (LH trip lever)	<input type="checkbox"/> 0 White	<input type="checkbox"/> Other _____
K-4276-L & K-4620	Toilet with bed pan lugs (left-hand trip lever)	<input type="checkbox"/> 0 White	<input type="checkbox"/> Other _____
K-3422-RA	Elongated bowl toilet (right-hand trip lever)	<input type="checkbox"/> 0 White	<input type="checkbox"/> Other _____
K-3422-TR	Toilet with tank cover locks (right-hand trip lever)	<input type="checkbox"/> 0 White	<input type="checkbox"/> Other _____
K-3422-UR	Toilet with Insuliner tank (right-hand trip lever)	<input type="checkbox"/> 0 White	<input type="checkbox"/> Other _____
K-4276-L & K-4620-RA	Toilet with bed pan lugs (right-hand trip lever)	<input type="checkbox"/> 0 White	<input type="checkbox"/> Other _____

Recommended Accessories

K-4664	Brevia™ seat with cover	<input type="checkbox"/> 0 White	<input type="checkbox"/> Other _____
K-4653	French Curve™ closed front seat	<input type="checkbox"/> 0 White	<input type="checkbox"/> Other _____
K-7637	Angle supply with stop	<input type="checkbox"/> CP	<input type="checkbox"/> PB <input type="checkbox"/> Other _____

Optional Accessories on Page 2

PRODUCT SPECIFICATION:

The elongated combination toilet shall be made of vitreous china. Toilet shall be 1.6 gpf (6 lpf) with Ingenium™ flushing system. Toilet shall have a 2" (5cm) glazed trapway. Toilet shall include polished chrome trip lever. Toilet shall be less seat and supply. Toilet shall have right-hand trip lever (-RA). Toilet shall have bed pan lugs (-L). Toilet shall have Insuliner® insulated tank lining (-U). Toilet shall have tank cover locks (-T). Toilet shall be Kohler Model K-3422-_____ -_____.

Optional Accessories

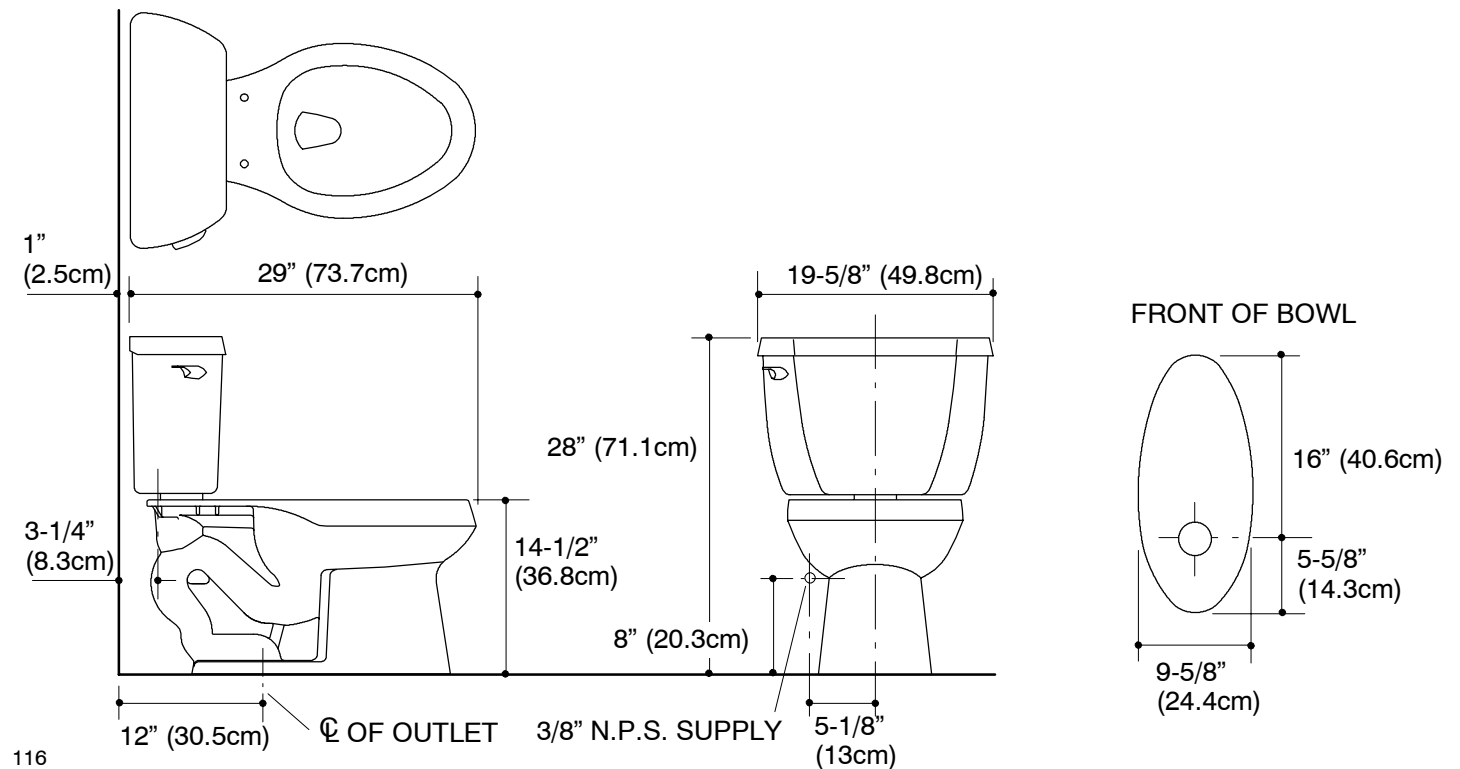
K-9404-L	Trip lever, left-hand (non-CP)	<input type="checkbox"/> PB	<input type="checkbox"/> Other _____
K-9404-R	Trip lever, right-hand (non-CP)	<input type="checkbox"/> PB	<input type="checkbox"/> Other _____

PRODUCT INFORMATION

Fixture:	
Configuration	2-piece, elongated
Water per flush	1.6 (6L)
Passageway	2" (5cm)
Water area	10-3/4" (27.3cm) x 9" (22.9cm)
Water depth from rim	6" (15.2cm)
Seat post hole centers	5-1/2" (14cm)
Included Components:	
Bowl	K-4276
Tank	K-4620
Tank cover	84635
Trip lever	K-9404

INSTALLATION NOTES

Install this product according to the installation guide.



116

PRODUCT DIAGRAM