

FEATURES

- 12" (30.5cm) rough-in
- Vitreous china
- Elongated bowl
- One-piece, compact
- 1.6 gpf (6 lpf)
- Ingenium™ flushing system
- 2" (5cm) glazed trapway
- Includes seat and cover
- Includes polished chrome trip lever
- 16-1/4" (41.3cm) high bowl with seat is ADA compliant
- Less supply
- EPDM flapper

CODES/STANDARDS APPLICABLE

Specified model meets or exceeds the following:

- ADA
- ASME A112.19.2
- ASME A112.19.6
- Energy Policy Act of 1992 (EPACT)
- IAPMO/UPC
- CSA B45

COLORS/FINISHES

- 0 White
- Other Refer to Price Book for additional colors

Accessories:

- CP Polished Chrome
- PB Polished Brass
- Other Refer to Price Book for additional colors

SPECIFIED MODEL:

Model	Description	Colors/Finishes		
K-3488	Elongated bowl toilet	<input type="checkbox"/> 0 White	<input type="checkbox"/> Other _____	
Recommended Accessories				
K-7637	Angle supply with stop	<input type="checkbox"/> CP	<input type="checkbox"/> PB	<input type="checkbox"/> Other _____
Optional Accessories				
K-9462	Trip lever (non-CP)	<input type="checkbox"/> PB	<input type="checkbox"/> Other _____	

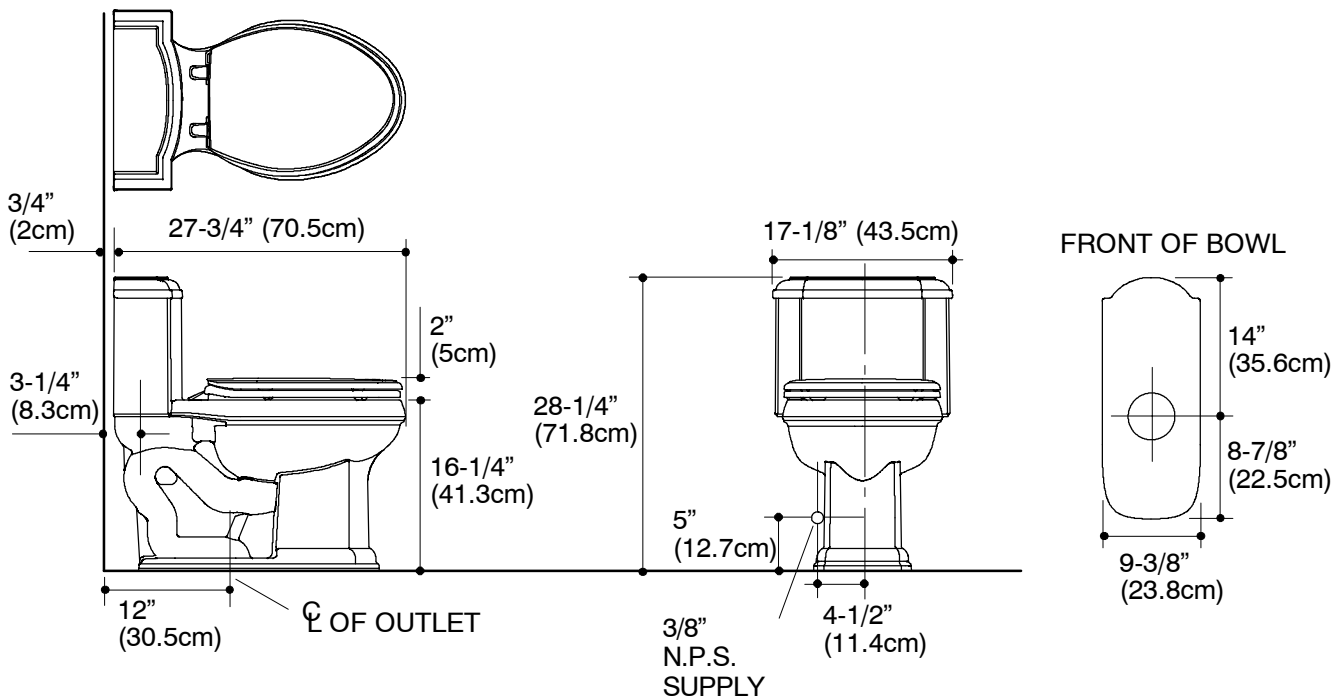
PRODUCT SPECIFICATION:

The elongated 1-piece compact toilet shall be 12" (30.5cm) rough-in. Toilet shall be made of vitreous china. Toilet shall be at comfort height. Toilet shall be 1.6 gpf (6 lpf) with Ingenium™ flushing system. Toilet shall have 2" (5cm) glazed trapway. Toilet shall have 10-3/4" (27.3cm) x 9" (22.9cm) water area. Toilet shall include seat and cover. Toilet shall include polished chrome trip lever. Toilet shall be ADA compliant with 16-1/4" (41.3cm) high bowl with seat. Toilet shall be less supply. Toilet shall have EPDM flapper. Toilet shall be Kohler Model K-3488-_____.

DEVONSHIRE COMFORT HEIGHT™

PRODUCT INFORMATION

ADA compliant:	
Fixture:	
Configuration	1-piece, compact elongated
Water per flush	1.6 gallons (6L)
Passageway	2" (5cm)
Water area	10-3/4" (27.3cm) x 9" (22.9cm)
Water depth from rim	6" (15.2cm)
Seat post hole centers	5-1/2" (14cm)
Included Components:	
Seat	K-4684
Tank cover	1021921
Trip lever	K-9462
Bolt cap accessory pack	52048
Tank accessory pack	52265



PRODUCT DIAGRAM

K-3488 Devonshire Comfort Height™ Toilet

Page 2 of 2
1031600-4-A

THE BOLD LOOK
OF **KOHLER**