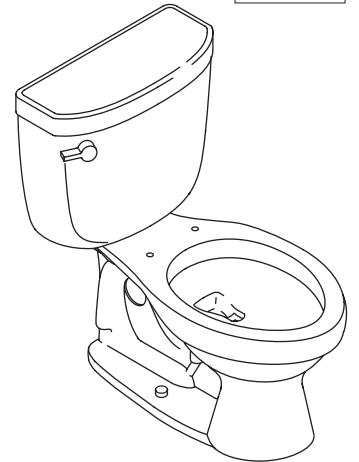


### Features

- 12" (30.5 cm) rough-in
- Vitreous china
- Elongated bowl
- EPDM flapper
- Less seat and supply
- Combination toilet
- Class 5™ flushing system
- 1.6 gpf (6 lpf) or 1.4 gpf (5.3 lpf)
- 2-1/8" (5.4 cm) glazed trapway
- 16-1/2" (41.9 cm) high bowl is ADA compliant
- 11-3/4" (29.8 cm) x 9-1/4" (23.5 cm) water area

### COMFORT HEIGHT™ TOILET K-3496 ALSO K-3496-RA

ADA



### Codes/Standards Applicable

Specified model meets or exceeds the following:

- ADA
- ASME A112.19.2
- ASME A112.19.6
- Energy Policy Act of 1992 (EPACT)
- IAPMO/UPC
- CSA B45

### Colors/Finishes

- 0: White
- Other: Refer to Price Book for additional colors/finishes

### Accessories:

- PB: Polished Brass
- Other: Refer to Price Book for additional colors/finishes

### Specified Model

Model	Description	Colors/Finishes	
K-4286	Elongated bowl toilet	<input type="checkbox"/> 0 White	<input type="checkbox"/> Other_____
K-4634	Toilet tank (Left handed trip lever)	<input type="checkbox"/> 0 White	<input type="checkbox"/> Other_____
K-4634-RA	Toilet tank (Right handed trip lever)	<input type="checkbox"/> 0 White	<input type="checkbox"/> Other_____

#### Recommended Accessories

K-4664	Brevia™ seat with cover	<input type="checkbox"/> 0 White	<input type="checkbox"/> Other_____
K-7637	3/8" Angle supply with stop	<input type="checkbox"/> CP	<input type="checkbox"/> PB <input type="checkbox"/> Other_____

#### Optional Accessories

K-9466-L	Left Trip lever (non-CP)	<input type="checkbox"/> PB	<input type="checkbox"/> Other_____
K-9466-R	Right Trip lever (non-CP)	<input type="checkbox"/> PB	<input type="checkbox"/> Other_____
K-9470-L	Left Trip lever	<input type="checkbox"/> PB	<input type="checkbox"/> Other_____
K-9470-R	Right Trip lever	<input type="checkbox"/> PB	<input type="checkbox"/> Other_____

### Product Specification:

The elongated 2-piece toilet combination shall be 12" (30.5 cm) rough-in. Toilet shall be made of vitreous china. Toilet shall be at comfort height. Toilet shall be 1.6 gpf (6 lpf) or 1.4 gpf (5.3 lpf), with Class 5™ flushing system. Toilet shall have 2-1/8" (5.4 cm) glazed trapway. Toilet shall include polished chrome trip lever. Toilet shall be ADA compliant with 16-1/2" (41.9 cm) high bowl. Toilet shall be less supply. Toilet shall have EPDM flapper. Toilet shall have 11-3/4" (29.8 cm) x 9-1/4" (23.5 cm) water area. Toilet shall be Kohler Model K-3496-\_\_\_\_\_.

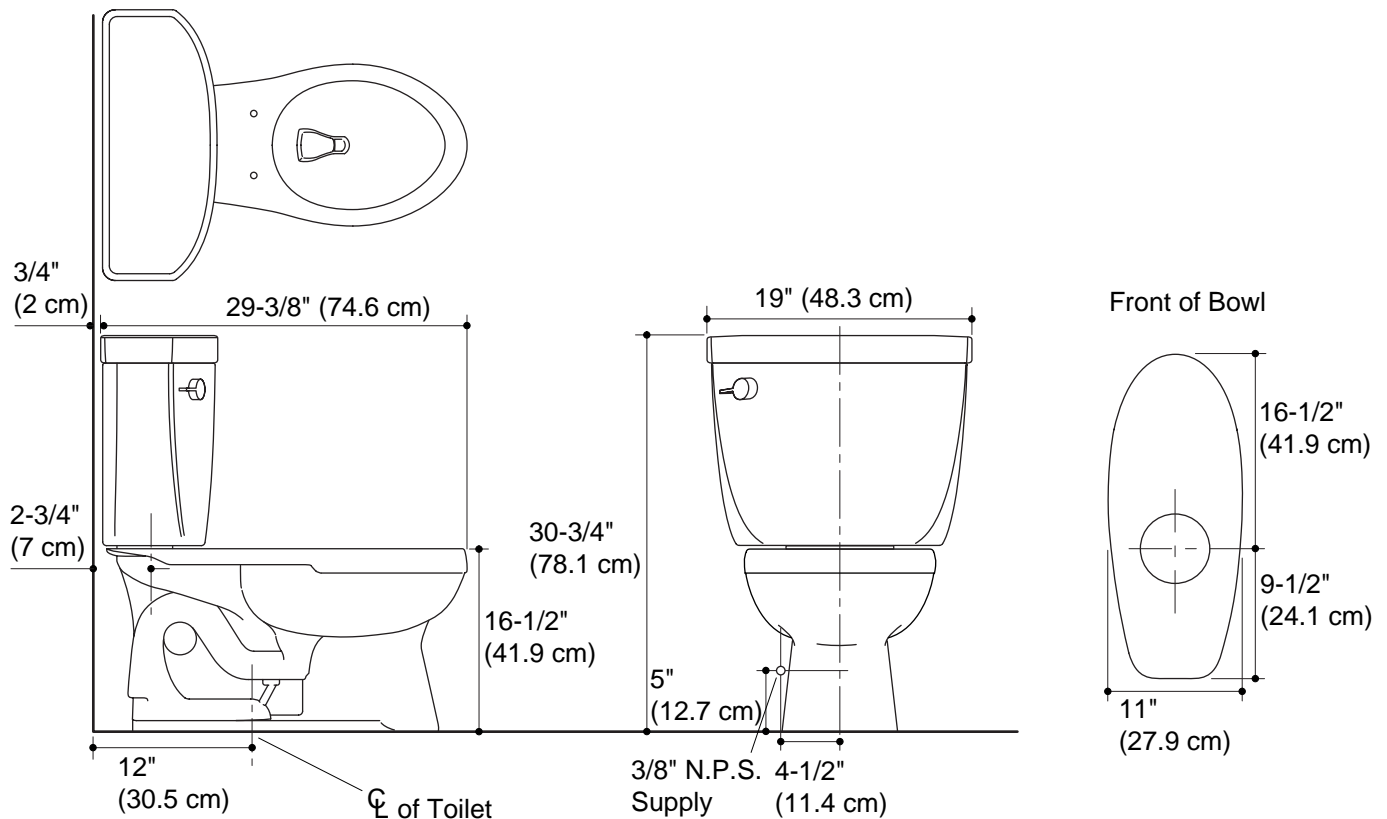
# CIMARRON™

## Technical Information

ADA compliant:	
Fixture:	
Configuration	2-piece, elongated
Water per flush	1.6 gallons (6 L) or 1.4 gallons (5.3 L)
Passageway	2-1/8" (5.4 cm)
Water area	11-3/4" (29.8 cm) x 9-1/4" (23.5 cm)
Water depth from rim	5-7/8" (14.9 cm)
Seat post hole centers	5-1/2" (14 cm)
Included Components:	
Tank cover	1015867
Trip lever, left handed	1034693
Trip lever, right handed	1036058
Bolt cap accessory pack	1013092
Tank accessory pack	1016548

## Installation Notes

Install this product according to the installation guide.



## Product Diagram