

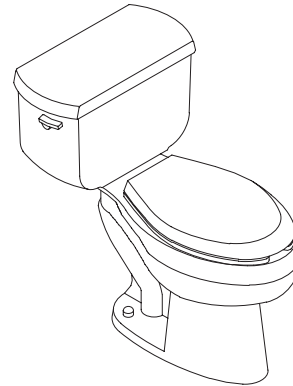
FEATURES

- 12" (30.5cm) rough-in
- Vitreous china
- 12" (30.5cm) x 10-1/4" (26cm) water area
- Elongated bowl
- Equipped with Sloan Flushmate™ – Sloan Valve Company
- 1.6 gpf
- Includes polished chrome trip lever
- Combination toilet
- 17-1/2" (44.5cm) high bowl is ADA compliant
- Less seat and supply
- With bedpan lugs (-L) or tank cover locks (-T)
- With right-hand trip lever (-RA)

TOILET

K-3544

ADA



CODES/STANDARDS APPLICABLE

Specified model meets or exceeds the following:

- ADA
- ASME/ANSI A112.19.2M
- ASME/ANSI A112.19.6M
- CABO/ANSI A117.1
- Energy Policy Act of 1992 (EPACT)
- IAPMO/UPC
- Canadian Standards Association (CSA)

COLORS/FINISHES

- 0 White
- Other Refer to Fixtures Price Book for additional colors

Accessories:

- 0 White
- CP Polished Chrome
- PB Polished Brass

SPECIFIED MODEL:

| Model | Description | Colors/Finishes | |
|--------------------------------|--|---|-------------------------------------|
| K-3544 | Elongated bowl toilet (left hand trip lever) | <input type="checkbox"/> 0 White | <input type="checkbox"/> Other_____ |
| K-3544-T | Toilet with tank cover locks (left hand trip lever) | <input type="checkbox"/> 0 White | <input type="checkbox"/> Other_____ |
| K-4404 & K-4324-L | Toilet with bed pan lugs (left hand trip lever) | <input type="checkbox"/> 0 White | <input type="checkbox"/> Other_____ |
| K-3544-RA | Elongated bowl toilet (right hand trip lever) | <input type="checkbox"/> 0 White | <input type="checkbox"/> Other_____ |
| K-3544-TR | Toilet with tank cover locks (right hand trip lever) | <input type="checkbox"/> 0 White | <input type="checkbox"/> Other_____ |
| K-4404-RA & K-4324-L | Toilet with bed pan lugs (right hand trip lever) | <input type="checkbox"/> 0 White | <input type="checkbox"/> Other_____ |
| Recommended Accessories | | | |
| K-4664 | Brevia™ seat with cover | <input type="checkbox"/> 0 White | <input type="checkbox"/> Other_____ |
| K-4653 | French Curve™ seat with cover | <input type="checkbox"/> 0 White | <input type="checkbox"/> Other_____ |
| K-7637 | Angle supply with stop | <input type="checkbox"/> CP <input type="checkbox"/> PB | <input type="checkbox"/> Other_____ |
| Optional Accessories | | | |
| K-9436-L | Trip lever, left-hand (non-CP) | <input type="checkbox"/> PB | <input type="checkbox"/> Other_____ |
| K-9436-R | Trip lever, right-hand (non-CP) | <input type="checkbox"/> PB | |

PRODUCT SPECIFICATION:

The elongated combination toilet shall be 12" (30.5cm) rough-in equipped with Sloan Flushmate™ – Sloan Valve Company. Toilet shall be made of vitreous china. Toilet shall have 12" (30.5cm) x 10-1/4" (26cm) water area. Toilet shall be 1.6 gpf (6 lpf). Toilet shall include polished chrome trip lever. Toilet shall be ADA compliant with 17-1/2" (44.5cm) high bowl. Toilet shall be less seat and supply. Toilet shall have bedpan lugs (-L). Toilet shall have right-hand trip lever (-RA). Toilet shall have tank cover locks (-T). Toilet shall be Kohler Model K-3544-_____ -_____.

PRODUCT INFORMATION

| | |
|---|----------|
| Included Components*: | |
| Bowl | K-4324 |
| Tank | K-4404 |
| Tank cover | 81449 |
| Bolt cap accessory pack | 52048 |
| Tank accessory pack | 73062 |
| Trip lever, left hand | K-9436-L |
| Trip lever, right hand | K-9436-R |
| *Equipped with Sloan Flushmate™ – Sloan Valve Company | |

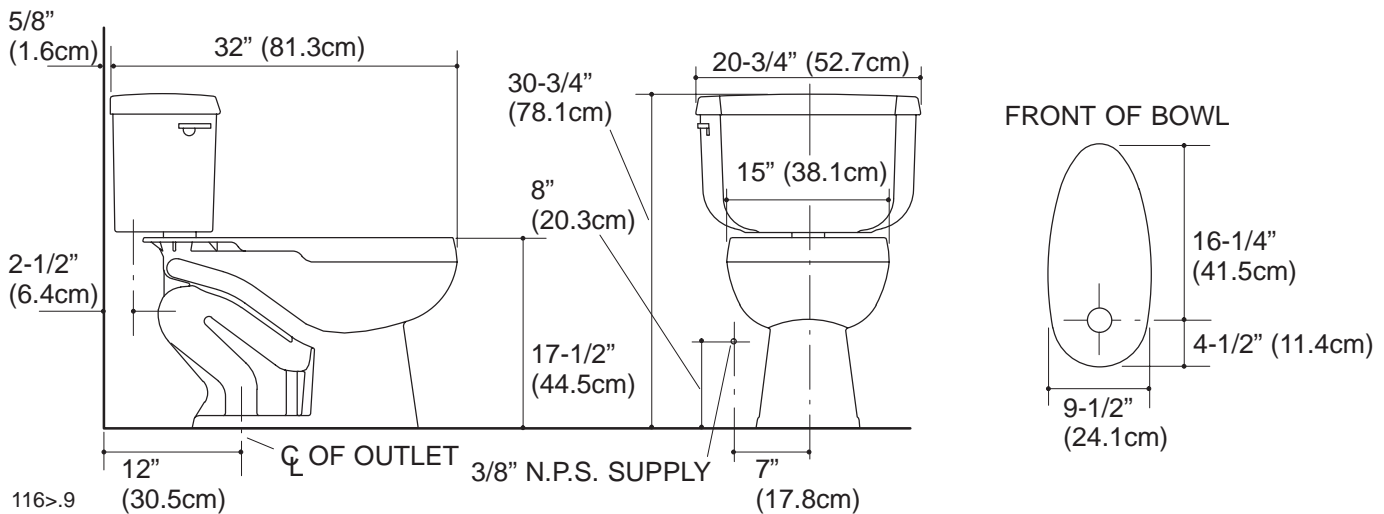
| | |
|----------------------------------|----------------------------------|
| ADA compliant. | |
| Fixture: | |
| Configuration | 2-piece, elongated |
| Water per flush | 1.6 gallons (6L) |
| Passageway | 2-1/4" (5.7cm) |
| Water area | 12" (30.5cm) x 10-1/4" (26cm) |
| Water depth from rim | 7" (17.8cm) |
| Seat post hole centers | 5-1/2" (14cm) |
| Minimum static pressure required | 20 p.s.i. |
| Maximum static pressure | 80 p.s.i. |

INSTALLATION NOTES

Install this product according to the installation guide.
 Fixture dimensions are nominal and conform to tolerances in ASME Standard A112.19.2M.

For back to back installations, the toilet shall be connected to the vertical stack using one of the three following fittings:

- A double fixture fitting.
- A double combination wye and 1/8 bends.
- A double wye and 1/8 bends.



PRODUCT DIAGRAM