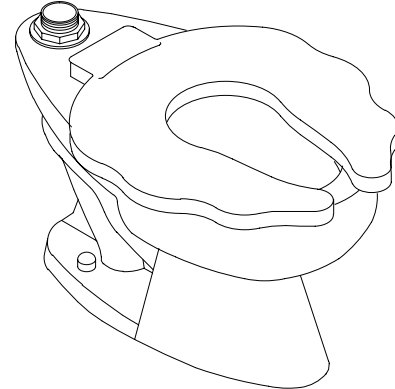


FEATURES

- 10" rough-in
- 1-1/2" top spud
- Vitreous china
- 12-3/8" x 10-1/8" water area
- Elongated bowl
- 1.6 gpf
- Includes K-4686 toilet seat with scalloped handhold locations for children
- Available with white, primary yellow, primary red, or primary blue colored seats



CODES/STANDARDS APPLICABLE

Specified model meets or exceeds the following:

- ADA-Children's Environment
- ASME/ANSI A112.19.2M
- ASME/ANSI A112.19.6M
- CABO/ANSI A117.1
- IAPMO/UPC
- Energy Policy Act of 1992 (EPACT)
- Canadian Standards Association (CSA)
- States of Massachusetts, New York, & Texas
- City of Los Angeles, CA

COLORS/FINISHES

- 0 White toilet with white seat
- R White toilet with red seat
- B White toilet with blue seat
- Y White toilet with yellow seat

SPECIFIED MODEL:

Model	Description	Colors/Finishes	
		<input type="checkbox"/> 0 White	<input type="checkbox"/> Other _____
K-4321	Elongated bowl toilet	<input type="checkbox"/> 0 White	<input type="checkbox"/> Other _____

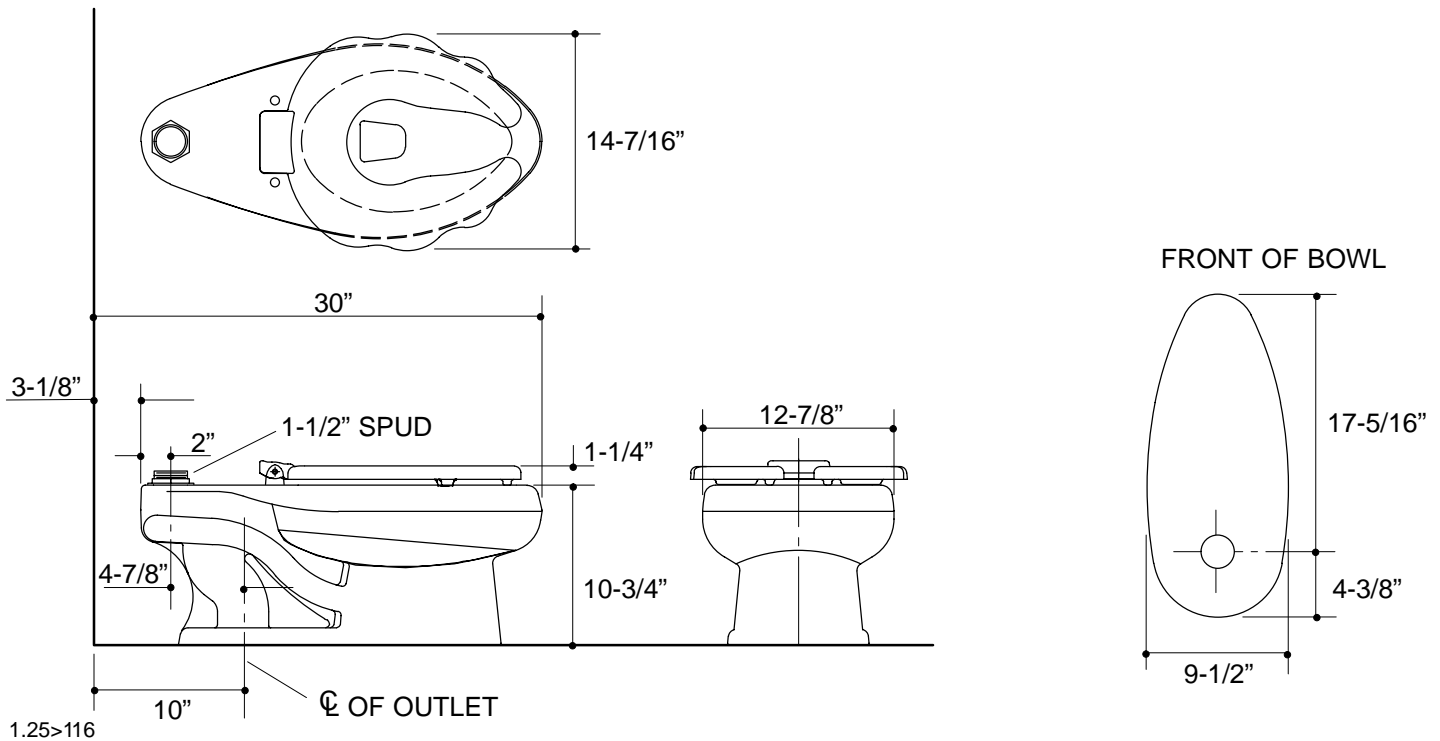
PRODUCT SPECIFICATION:

The elongated bowl shall be 10" rough-in with 1-1/2" top spud. Bowl shall be made of vitreous china. Bowl shall have 12-3/8" x 10-1/8" water area. Bowl shall be 1.6 gpf. Bowl shall include K-4686 toilet seat with scalloped handhold locations for children. Bowl shall have a choice of white, primary yellow, primary red or primary blue colored seat. Bowl shall be Kohler Model K-4321-_____.

PRIMARY™

PRODUCT INFORMATION

Fixture:	
Configuration	Top spud elongated
Gallons per flush	1.6 gallons*
Spud size	1-1/2"
Passageway	2-1/8"
Water area	12-3/8" x 10-1/8"
Water depth from rim	4-1/4"
Seat post hole centers	5-1/2"
* Designed to flush with 1.6 gallons of water when installed with a 1.6 gpf flush valve.	
Included Components:	
Spud	18357
Seat	K-4686-A
Bolt cap accessory pack	52048
Flush valve requirements: Refer to manufacturer and local codes.	



PRODUCT DIAGRAM