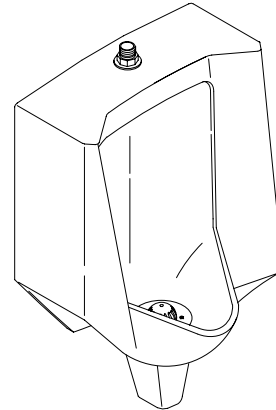


K-4960-ET

ADA



FEATURES

- Vitreous china
- Washout
- 3/4" top spud
- 1/2 to 1 gallon per flush
- 14" extended rim
- Includes removable beehive strainer, inlet and outlet spuds, and hangers
- ADA compliant when rim is mounted no higher than 17" from finished floor

CODES/STANDARDS APPLICABLE

Specified model meets or exceeds the following:

- ADA when rim is mounted no higher than 17" from finished floor
- ASME/ANSI A112.19.2M
- ASME/ANSI A112.19.6M
- CABO/ANSI A117.1
- Energy Policy Act of 1992 (EPACT)
- IAPMO/UPC
- CSA International B45
- California Title 24
- States of Massachusetts, New York, & Texas
- City of Los Angeles, CA

COLORS/FINISHES

- 0 White
- Other Refer to Fixtures Price Book for additional colors

Accessories:

- G Brushed Chrome

SPECIFIED MODEL:

Model	Description	Colors/Finishes	
K-4960-ET	3/4" top spud urinal	<input type="checkbox"/> 0 White	<input type="checkbox"/> Other _____
Optional Accessories			
K-13686	Touchless battery-powered urinal flush valve, fixture mounted	<input type="checkbox"/> G	

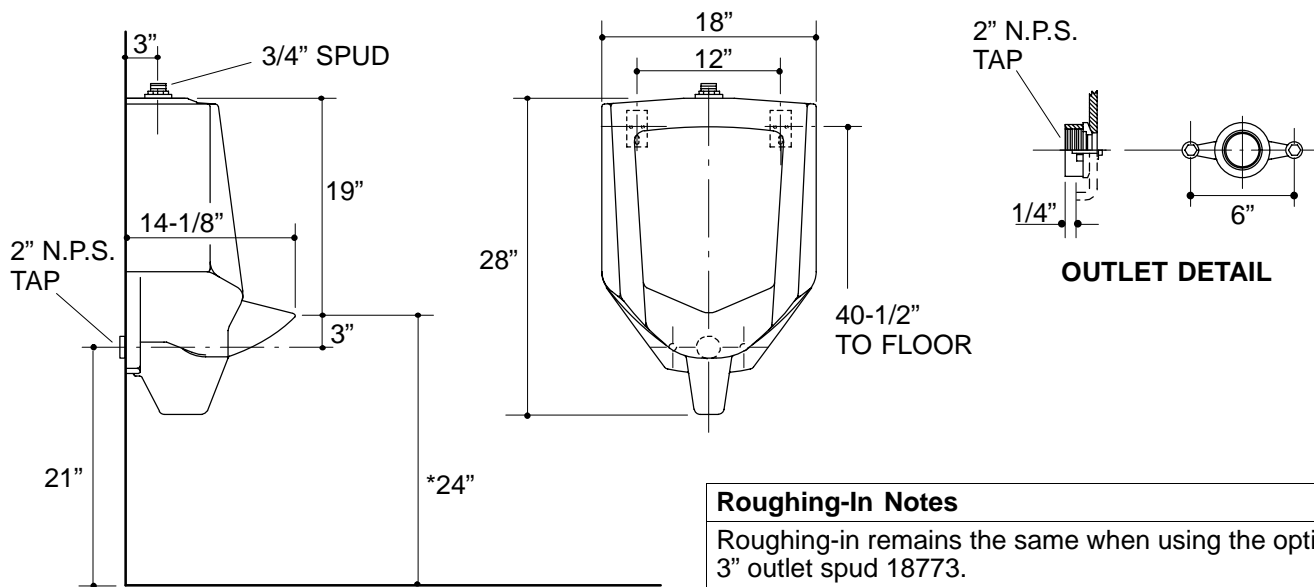
PRODUCT SPECIFICATION:

The washout urinal shall be made of vitreous china with a 3/4" top spud. Urinal shall use 1/2 to 1 gallon per flush. Urinal shall have 14" extended rim. Urinal shall include removable beehive strainer, inlet and outlet spuds, and hangers. Urinal shall be ADA compliant when rim is mounted no higher than 17" from finished floor. Urinal shall be Kohler Model K-4960-ET-_____.

BARDON™ SUPERIOR

PRODUCT INFORMATION

ADA compliant.	
Fixture:	
Configuration	Top spud
Gallons per flush	1/2 to 1 gallon*
Spud inlet size	3/4"
* Designed to flush with one half gallon of water when installed with a one half gallon flush valve.	
Included Components:	
3/4" inlet spud	18376
2" outlet spud	18766
Strainer	85061
Hanger (2 required)	64512
Flush valve requirements: Refer to manufacturer's instructions and local codes.	



Roughing-In Notes

Roughing-in remains the same when using the optional 3" outlet spud 18773.

*Urinal complies with ADA requirement when rim is mounted no higher than 17" from finished floor.

PRODUCT DIAGRAM