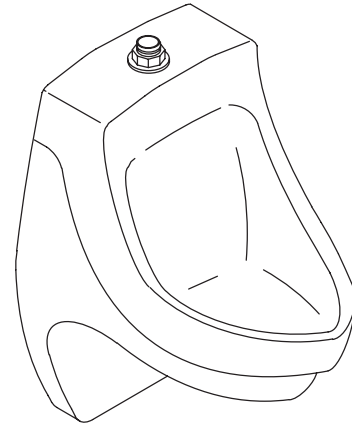


# K-5016-ET

ADA



## FEATURES

- Vitreous china
- Siphon jet
- 3/4" top spud
- 14-1/2" (36.8cm) extended rim
- Includes inlet & outlet spuds and hangers
- Includes anti-backsplash wall
- 1.0 gallon (3.78L) or less flush
- ADA compliant when rim is mounted no higher than 17" (43.2cm) from finished floor

## CODES/STANDARDS APPLICABLE

Specified model meets or exceeds the following:

- ADA when rim is mounted no higher than 17" (43.2cm) from finished floor
- ASME/ANSI A112.19.2M
- ASME/ANSI A112.19.6M
- CABO/ANSI A117.1
- IAPMO/UPC
- Energy Policy Act of 1992 (EPACT)
- States of Massachusetts, New York, & Texas
- City of Los Angeles, CA

## COLORS/FINISHES

- 0 White
- Other Refer to Fixtures Price Book for additional colors

## SPECIFIED MODEL:

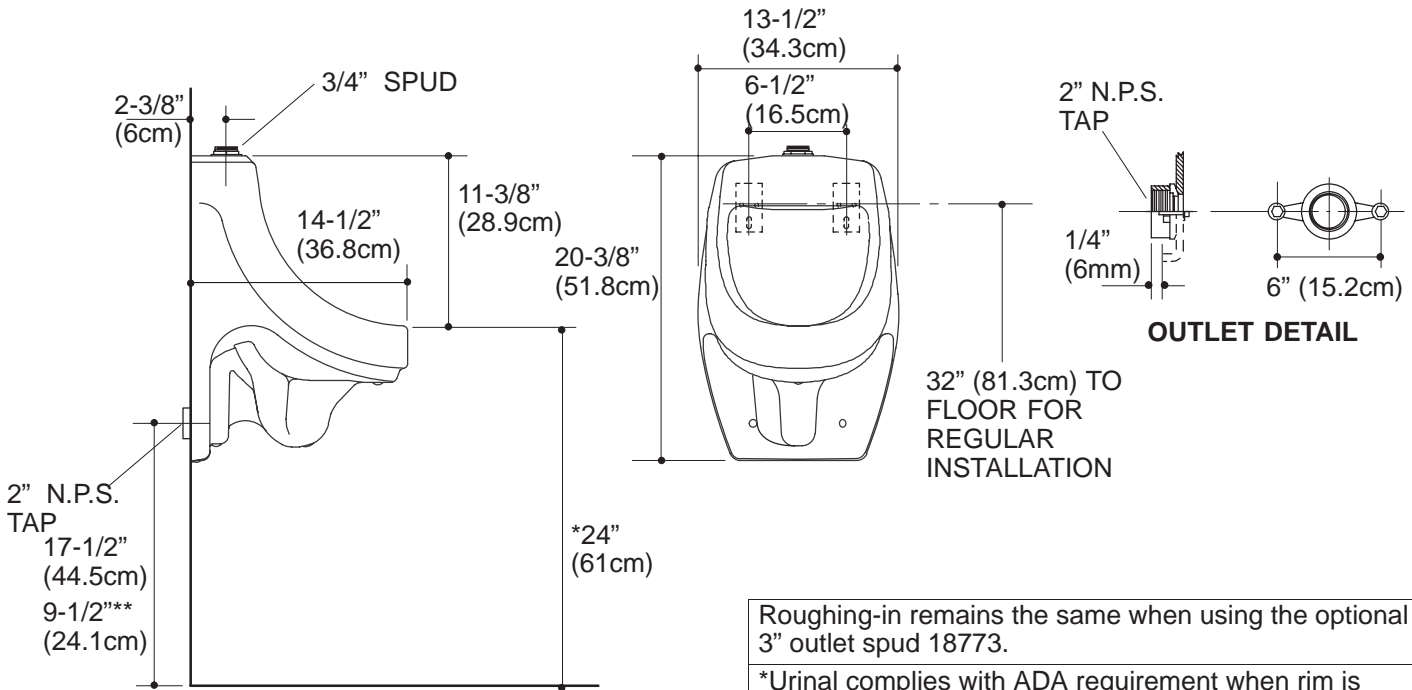
Model	Description	Colors/Finishes	
K-5016-ET	3/4" top spud urinal	<input type="checkbox"/> 0 White	<input type="checkbox"/> Other_____

## PRODUCT SPECIFICATION:

The siphon jet urinal shall be made of vitreous china with a 3/4" top spud. Urinal shall have 14-1/2" (36.8cm) extended rim. Urinal shall include inlet & outlet spuds and hangers. Urinal shall include anti-backsplash wall. Urinal shall be 1.0 gallon (3.78L) or less flush. Urinal shall be ADA compliant when rim is mounted no higher than 17" (43.2cm) from finished floor. Urinal shall be Kohler Model K-5016-ET-\_\_\_\_\_.

## PRODUCT INFORMATION

ADA compliant.	
Fixture:	
Configuration	Top spud
Spud inlet size	3/4"
Gallons per flush	< 1 gallon* (3.78L)
*Designed to flush with less than one gallon (3.78L) of water when installed with a water saving flush valve.	
Included Components:	
3/4" inlet spud	18376
2" outlet spud	18766
Hanger (2 required)	64512
Flush valve requirements: Refer to manufacturer's instructions and local codes.	



Roughing-in remains the same when using the optional 3" outlet spud 18773.

\*Urinal complies with ADA requirement when rim is mounted no higher than 17" (43.2cm) from finished floor.

\*\*Outlet height for ADA compliance.

1.25>116

## PRODUCT DIAGRAM