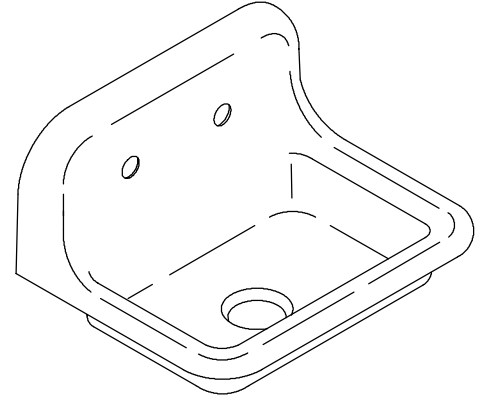


FEATURES

- 24" (61cm) x 18" (45.7cm)
- Cast iron
- Acid resistant enamel finish
- 2-hole drilling
- 8" (20.3cm) high back



CODES/STANDARDS APPLICABLE

Specified model meets or exceeds the following:

- ASME/ANSI A112.19.1M
- IAPMO/UPC
- Canadian Standards Association (CSA)
- State of Massachusetts

COLORS/FINISHES

- 0 White

Accessories:

- CP Polished Chrome
- Other Refer to Price Book for additional colors

SPECIFIED MODEL:

Model	Description	Colors/Finishes
K-5980	Utility sink	<input type="checkbox"/> 0 White
Recommended Accessories		
K-9000	Trap	<input type="checkbox"/> CP
Optional Accessories		
K-8801	Duostrainer sink strainer	<input type="checkbox"/> CP <input type="checkbox"/> Other _____

PRODUCT SPECIFICATION:

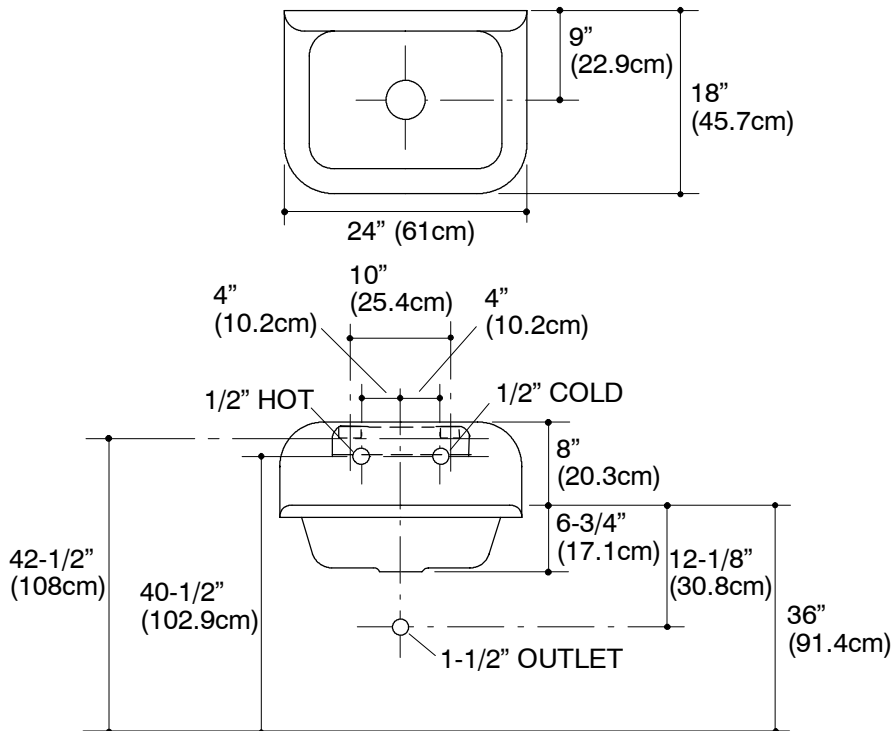
The utility sink with 8" (20.3cm) high back, shall be 24" (61cm) in length, and 18" (45.7cm) in width. Sink shall be made of cast iron with acid resistant enamel finish. Sink shall be 2-hole drilled. Sink shall be Kohler Model K-5980-_____.

PRODUCT INFORMATION

Fixture*:		basin area	water depth
Sink		19" (48.3cm) x 14" (35.6cm)	6" (15.2cm)
Outlet	3-5/8" (9.2cm) D.		
Faucet holes	1-1/2" (3.8cm) D.		
* Approximate measurements for comparison only.			
Included Components:			
Hanger	64503		

INSTALLATION NOTES

Install this product according to the installation guide.
 Fixture dimensions are nominal and conform to tolerances in ASME/ANSI Standard A112.19.1M.



PRODUCT DIAGRAM