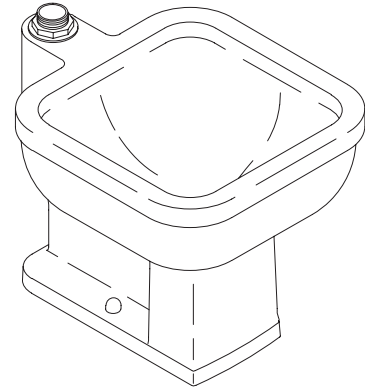


FEATURES

- 20" (50.8cm) x 21" (53.3cm)
- Vitreous china
- 1-1/2" top spud
- Siphon jet flushing rim



CODES/STANDARDS APPLICABLE

Specified model meets or exceeds the following:

- ASME/ANSI A112.19.2M
- IAPMO/UPC
- Canadian Standards Association (CSA)
- State of Massachusetts

COLORS/FINISHES

- 0 White

Accessories:

- NA None Applicable

SPECIFIED MODEL:

Model	Description	Colors/Finishes
K-6676	Service sink	<input type="checkbox"/> 0 White
Optional Accessories		
K-8935	Stainless steel rim guard	<input type="checkbox"/> NA

PRODUCT SPECIFICATION:

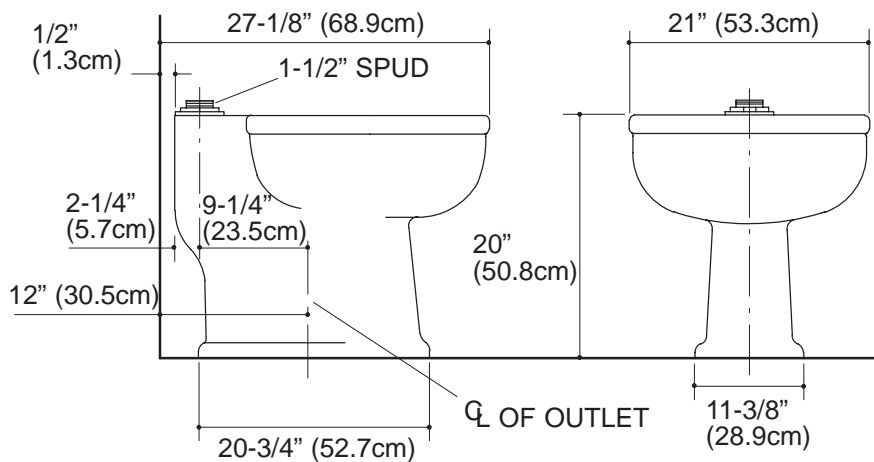
The service sink shall be 20" (50.8cm) in length, and 21" (53.3cm) in width with a 1-1/2" top spud. Sink shall be made of vitreous china. Sink shall have siphon jet flushing rim. Sink shall be Kohler Model K-6676-_____.

PRODUCT INFORMATION

Fixture*:		basin area	water depth
Sink		17" (43.2cm) x 17" (43.2cm)	7-5/8" (19.4cm)
Water surface	12" (30.5cm) x 12" (30.5cm)		
Outlet	2-5/8" (6.7cm)		
Spud hole	2-1/4" D.(5.7cm)		
Passageway	2-1/2" (6.4cm)		
Minimum running pressure required		25 p.s.i. (2kg/cm ²)	
* Approximate measurements for comparison only.			
Included Components:			
1-1/2" spud		18357	
Bolt caps (pr.)		52048	

Roughing-In Notes

Fixture dimensions are nominal and conform to tolerances in ANSI Standard A112.19.2M.



PRODUCT DIAGRAM