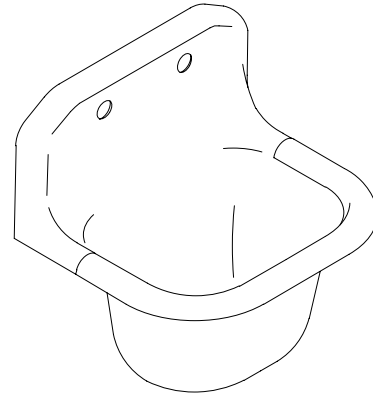


FEATURES

- 22-1/4" x 18-1/4" or 24-1/4" x 20-1/4"
- Cast iron
- Acid resistant enamel finish
- Single compartment
- 2-hole (K-6714 and K-6716)
- Drilled back (K-6714 and K-6716) or blank back (K-6718 and K-6719)
- With rim guard

K-6714, K-6716 K-6718, K-6719



CODES/STANDARDS APPLICABLE

Specified model meets or exceeds the following:

- ASME/ANSI A112.19.1M
- IAPMO/UPC
- Canadian Standards Association (CSA)
- State of Massachusetts

COLORS/FINISHES

- 0 White

SPECIFIED MODEL:

Model	Description	Colors/Finishes
K-6714	22-1/4" x 18-1/4" drilled back service sink	<input type="checkbox"/> 0 White
K-6716	24-1/4" x 20-1/4" drilled back service sink	<input type="checkbox"/> 0 White
K-6718	22-1/4" x 18-1/4" blank back service sink	<input type="checkbox"/> 0 White
K-6719	24-1/4" x 20-1/4" blank back service sink	<input type="checkbox"/> 0 White

PRODUCT SPECIFICATION:

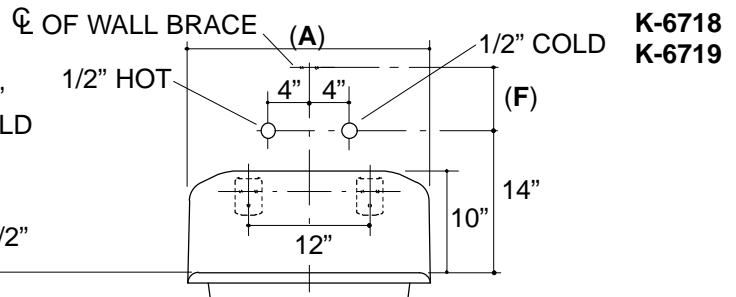
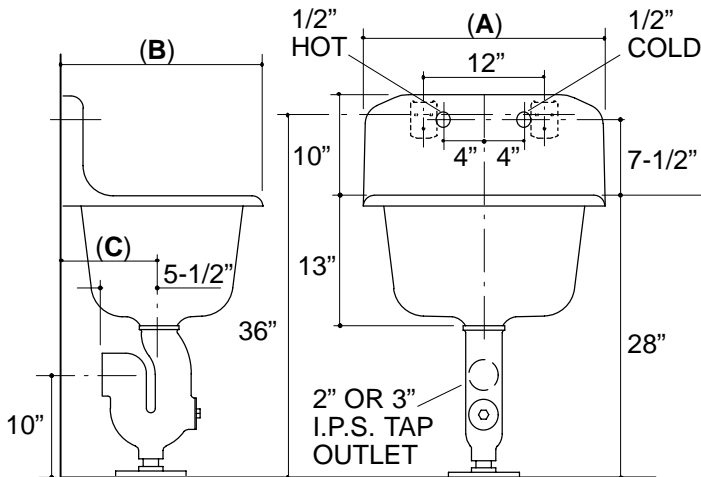
The service sink shall be made of cast iron with acid resistant enamel finish. Sink shall be 2-hole (K-6714 and K-6716) drilled. Sink shall be single compartment with drilled back (K-6714 and K-6716) or blank back (K-6718 and K-6719). Sink shall have rim guard. Sink shall be Kohler Model K-_____-_____.

PRODUCT INFORMATION

Fixture*:		basin area	water depth
K-6714, K-6718		18" x 14"	12"
K-6716, K-6719		20" x 16"	12"
Outlet	2-7/8" D.		
Faucet holes	1-1/2" D.		
Rim guard holes	5/8" D.		
* Approximate measurements for comparison only.			

Included Components:	
Hangers	64515
Stainless steel rim guards	K-8937

K-6714
K-6716



K-6718
K-6719

Roughing-In Notes			
No change in sink measurements when used with K-6672 or K-6673 trap standard.			
Faucets for K-6718, K-6719	K-8904	K-8907	K-8908
(F)	10-5/8"	11-1/8"	10-1/2"
	(A)	(B)	(C)
K-6714, K-6718	22-1/4"	18-1/4"	8-1/2"
K-6716, K-6719	24"	20-1/4"	9-1/2"
Recommended accessories/hardware are shown.			

.9<116

PRODUCT DIAGRAM