

**KITCHEN SINK BASE FAUCET  
K-7827-K  
ALSO K-7825-K**

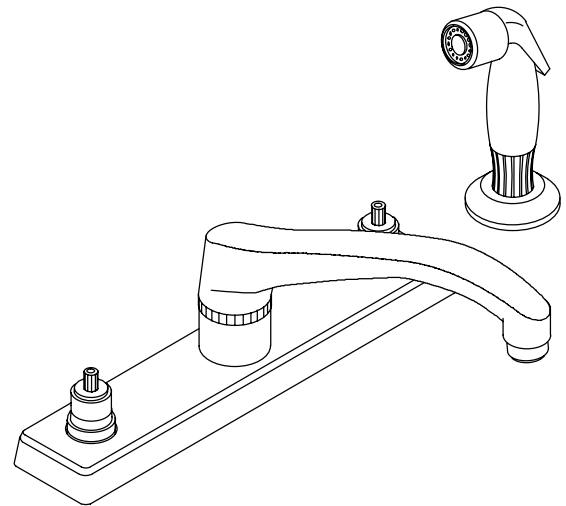
**FEATURES**

- Brass construction
- For 8" centers
- Brass valve bodies
- Quarter-turn washerless ceramic disc valves
- 8-1/8" swing spout
- 2.2 gallons per minute
- Variety of handle style options
- Escutcheon plate
- Available with or without black handspray

**CODES/STANDARDS APPLICABLE**

Specified model meets or exceeds the following:

- ASME/ANSI A112.18.1M
- Energy Policy Act of 1992
- IAPMO/UPC
- NSF 61








**COLORS/FINISHES**

- CP Polished Chrome

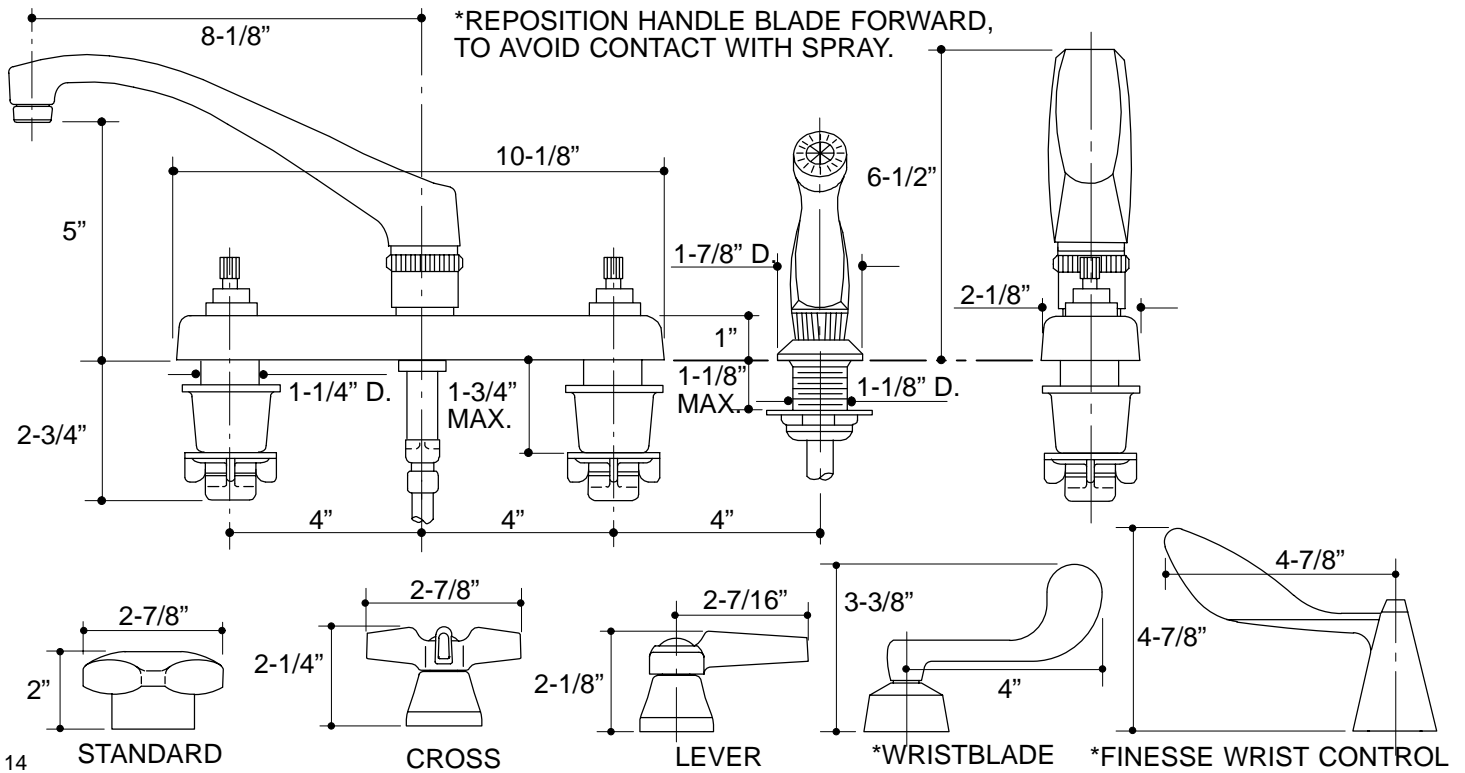
**SPECIFIED MODEL:** For complete faucet, both base valve and faucet trim must be specified.

Model	Description	
K-7825-K	Less Handspray	<input type="checkbox"/> CP
K-7827-K	With Handspray	<input type="checkbox"/> CP

Required Accessory (Includes Two Handles)			 ADA	 ADA	 ADA	 ADA
K-16010-2	Triton Standard Handles	<input type="checkbox"/> CP				
K-16010-3	Triton Cross Handles		<input type="checkbox"/> CP			
K-16010-4	Triton Lever Handles			<input type="checkbox"/> CP		
K-16010-5	Triton Wristblade Lever Handles				<input type="checkbox"/> CP	
K-16050-5	Finesse Wrist Control Lever Handles					<input type="checkbox"/> CP

**PRODUCT SPECIFICATION:**

Two-handle kitchen sink base faucet shall be of brass construction. Faucet shall feature brass valve bodies. Faucet shall feature quarter-turn washerless ceramic disc valves, assuring positive handle stop positioning. Product shall include 8" centers, and 8-1/8" swing spout, and escutcheon plate. Optional feature shall be with or without black handspray. Base faucet shall be Kohler Model K-\_\_\_\_\_-K-CP and handles shall be Kohler Model K-\_\_\_\_\_-\_\_\_\_\_-CP.



**PRODUCT DIAGRAM**