

LAVATORY FAUCET **K-8211-K** ALSO K-8211

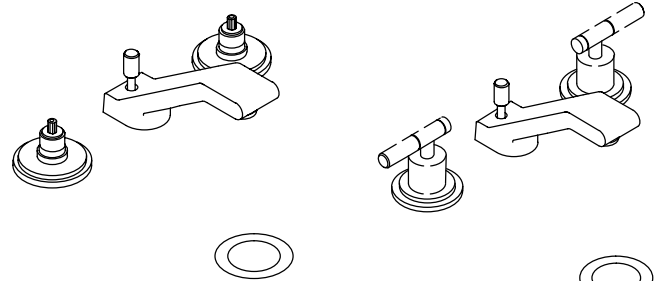
FEATURES

- Brass construction
- Flexible connections
- Brass valve bodies
- Quarter-turn washerless ceramic disc valves
- 4-15/16" spout
- 2.0 gallons per minute
- Pop-up drain with lift rod and tailpiece
- Variety of handle style options

CODES/STANDARDS APPLICABLE

Specified model meets or exceeds the following:

- ASME/ANSI A112.18.1M
- CSA B125
- Energy Policy Act of 1992
- IAPMO/UPC
- NSF 61



K-8211-K

K-8211

COLORS/FINISHES

- CP Polished Chrome
- PB Polished Brass
- Other Refer to Faucets Price Book for additional finishes

SPECIFIED MODEL:

BASE FAUCET: For complete faucet, both base faucet and handle choice must be specified.

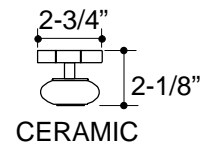
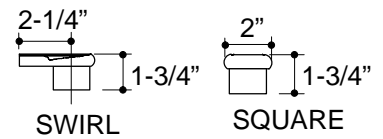
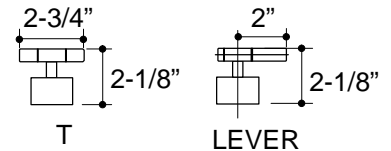
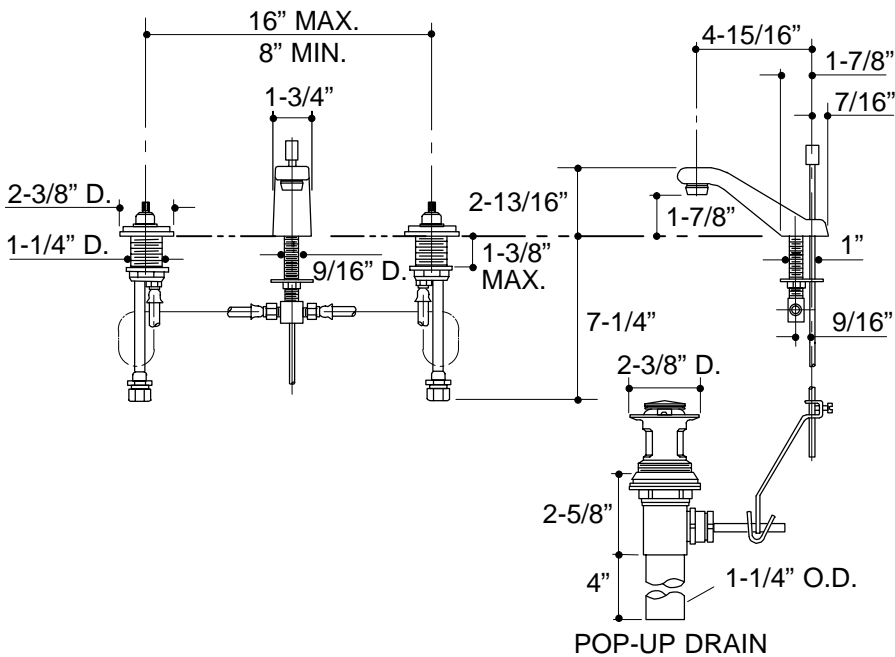
Model	Description								
K-8211-K	Taboret Widespread Lavatory Base Faucet					<input type="checkbox"/> CP		<input type="checkbox"/> PB	
Required Accessory (Includes Two Handles)									
K-16070-2	Square Handles	<input type="checkbox"/> CP	<input type="checkbox"/> PB						
K-16070-4	Lever Handles		<input type="checkbox"/> CP	<input type="checkbox"/> PB					
K-16070-4A	Swirl Lever Handles			<input type="checkbox"/> CP	<input type="checkbox"/> PB				
K-16070-4C	Vandal-Proof Lever Handles, Aerator		<input type="checkbox"/> CP						
K-16070-6	T-Handles					<input type="checkbox"/> CP	<input type="checkbox"/> PB		
K-16070-6C	Vandal-Proof T-Handles, Aerator					<input type="checkbox"/> CP			

COMPLETE FAUCET: Faucet handles included.

Model	Description	ADA			ADA		
K-8211-4	With Lever Handles	<input type="checkbox"/> CP	<input type="checkbox"/> PB	<input type="checkbox"/> Other_____			
K-8211-6	With T-Handles				<input type="checkbox"/> CP	<input type="checkbox"/> PB	<input type="checkbox"/> Other_____

PRODUCT SPECIFICATION:

Two-handle widespread lavatory faucet shall be of brass construction. Faucet shall feature brass valve bodies. Faucet shall feature quarter-turn washerless ceramic disc valves, assuring positive handle stop positioning. Product shall include flexible connections, 4-15/16" spout, and pop-up drain with tailpiece. Base faucet shall be Kohler Model K-8211-K-_____ with K-_____ -_____ -_____ handles **OR** complete faucet shall be Kohler Model K-8211-_____ -_____.



PRODUCT DIAGRAM