

FEATURES

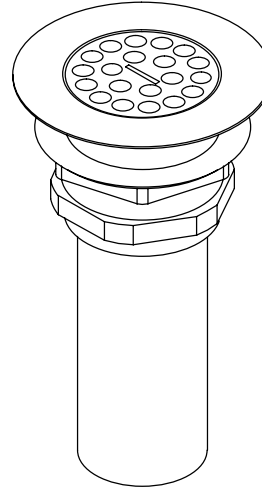
- Brass construction
- Removable perforated strainer or rubber stopper
- 1-1/2" connection
- Brass tailpiece

CODES/STANDARDS APPLICABLE

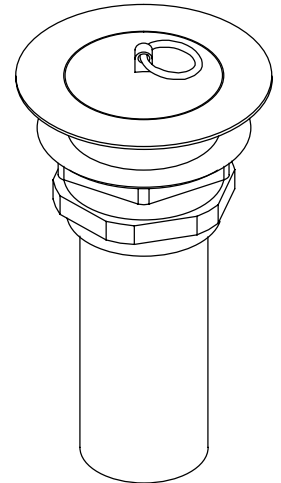
Specified model meets or exceeds the following:

- ASME/ANSI A112.18.1M
- CSA B125
- IAPMO/UPC

SINK STRAINER
K-8807
ALSO K-8820, K-8821



K-8807
K-8820



K-8821

COLORS/FINISHES

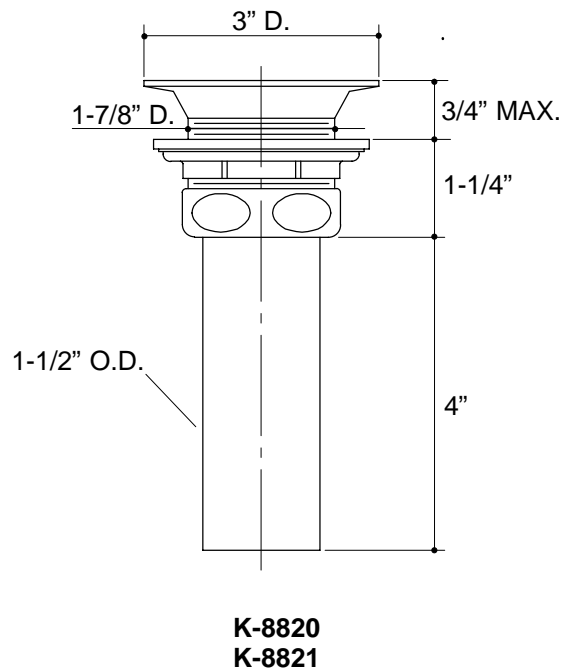
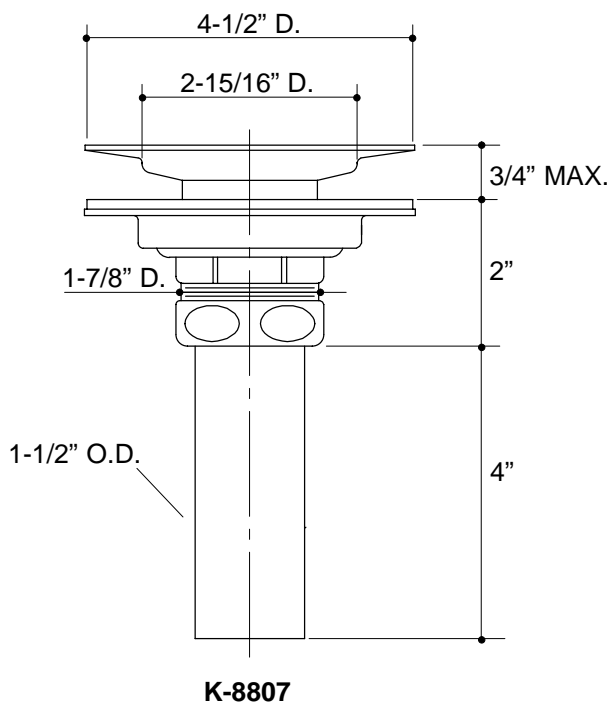
- CP Polished Chrome

SPECIFIED MODEL:

Model	Description	
K-8807	For Sinks With 3-1/2" or 4" Outlets; With Perforated Drain	<input type="checkbox"/> CP
K-8820	For Sinks With 2" Outlets; With Perforated Drain	<input type="checkbox"/> CP
K-8821	For Sinks With 2" Outlets; With Rubber Stopper	<input type="checkbox"/> CP

PRODUCT SPECIFICATION:

Sink strainer shall be of brass construction. Product shall feature brass body, brass tailpiece, and 1-1/2" connection. K-8807 is intended for sink installations with 3-1/2" or 4" outlet. K-8820 and K-8821 are intended for sink installations with 2" outlet. Optional feature shall be removable perforated strainer or rubber stopper. Sink strainer shall be K-_____ -CP.



PRODUCT DIAGRAM