



McGUIRE MFG. CO., INC.

60 Grandview Court
P.O. Box 746 ♣ Cheshire, CT 06410
203-699-1801 ♣ Fax 203-699-1813
www.mcguiremfg.com

Product Specification

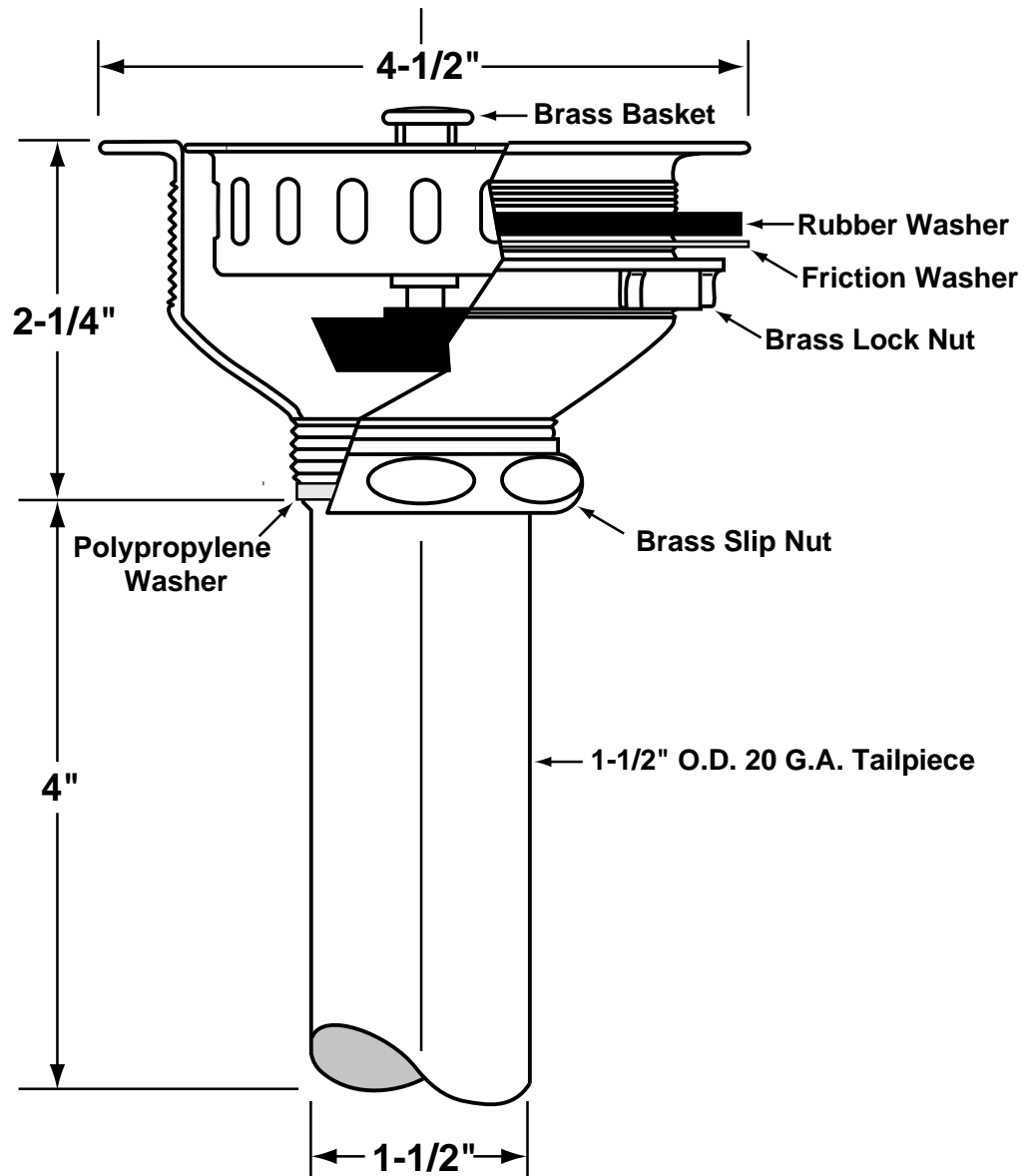
Part No.

151

Brass Basket Strainer

Job Name:

Submittal Number:



See options and accessories section for details on product variations.

Specifications:

Heavy Duty Forged Brass Basket Strainer with a polished and chrome plated brass strainer body, 1-1/2" x 4" seamless brass tailpiece, cast brass lock and coupling nuts. Fits sink thickness up to 3/4 inch. Basket Strainer shall be in compliance with CSA or other recognized testing authority and bear both manufacturer and testing mark.