



**McGUIRE MFG. CO., INC.**

60 Grandview Court  
 P.O. Box 746 ♣ Cheshire, CT 06410  
 203-699-1801 ♣ Fax 203-699-1813  
 www.mcguiremfg.com

**Product Specification**

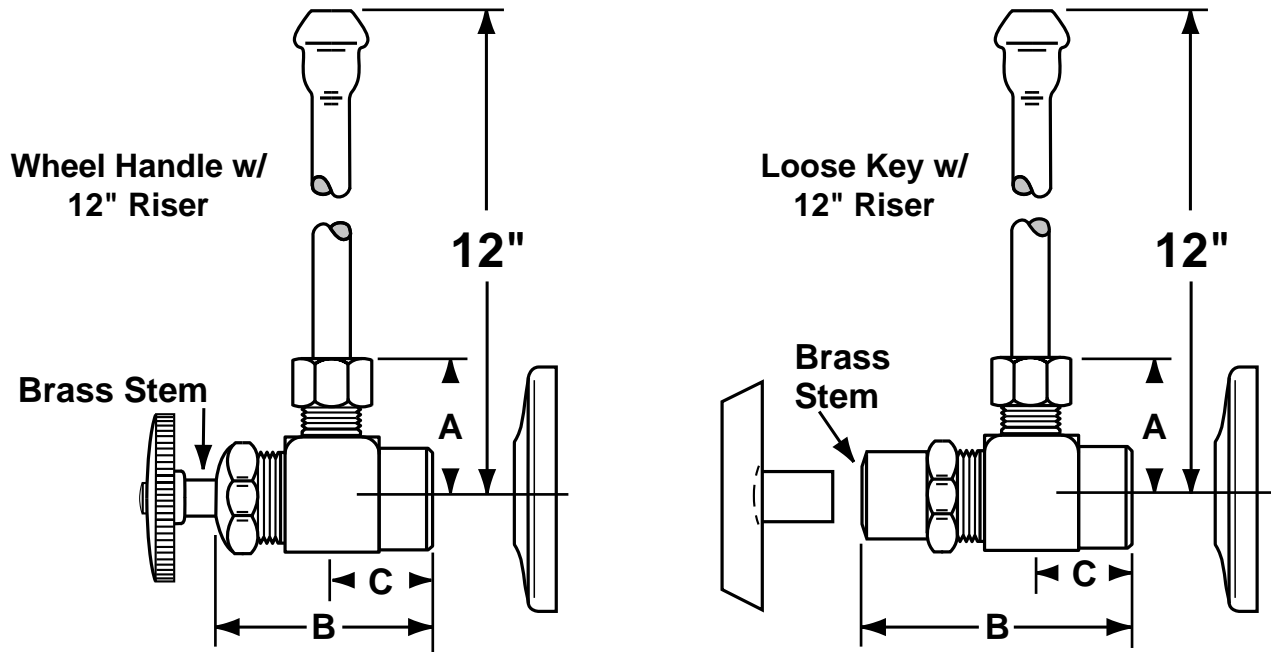
**Part No.**

H165, H165LK, H167, H167LK

**Heavy Lavatory Supply**  
**3/8" I.P.S. X O.D.**

**Job Name:** \_\_\_\_\_

**Submittal Number:** \_\_\_\_\_



NO.	ROUGHING MEASUREMENTS	A	B	C
H165	3/8" I.P.S. x 3/8" O.D.	1-3/8"	1-15/16"	1"
H165LK	3/8" I.P.S. x 3/8" O.D.	1-3/8"	2-7/16"	1"
H167	3/8" I.P.S. x 1/2" O.D.	1-3/8"	1-15/16"	1"
H167LK	3/8" I.P.S. x 1/2" O.D.	1-3/8"	2-7/16"	1"

**LK** designates *Loose Key*



See options and accessories section for details on product variations.

**Specifications:**

Supply kit shall include heavy pattern chrome plated brass stops with full turn brass stem, no plastic, (12, 15, 20) inch chrome plated copper risers and (shallow, deep, bell) (steel, brass) or (forged brass with set screw) flange. Inlet shall be (3/8, 1/2) inch (IPS, sweat, compression). Outlet shall be (3/8, 1/2) inch (IPS, compression). Supply kit shall be McGuire \_\_\_\_\_ . Supply kit shall be certified by CSA or other recognized testing authority and bear manufacturer and testing mark. Stop to be certified to 200 psi line pressure.