



McGUIRE MFG. CO., INC.

60 Grandview Court
 P.O. Box 746 ♣ Cheshire, CT 06410
 203-699-1801 ♣ Fax 203-699-1813
 www.mcguiremfg.com

Part No.

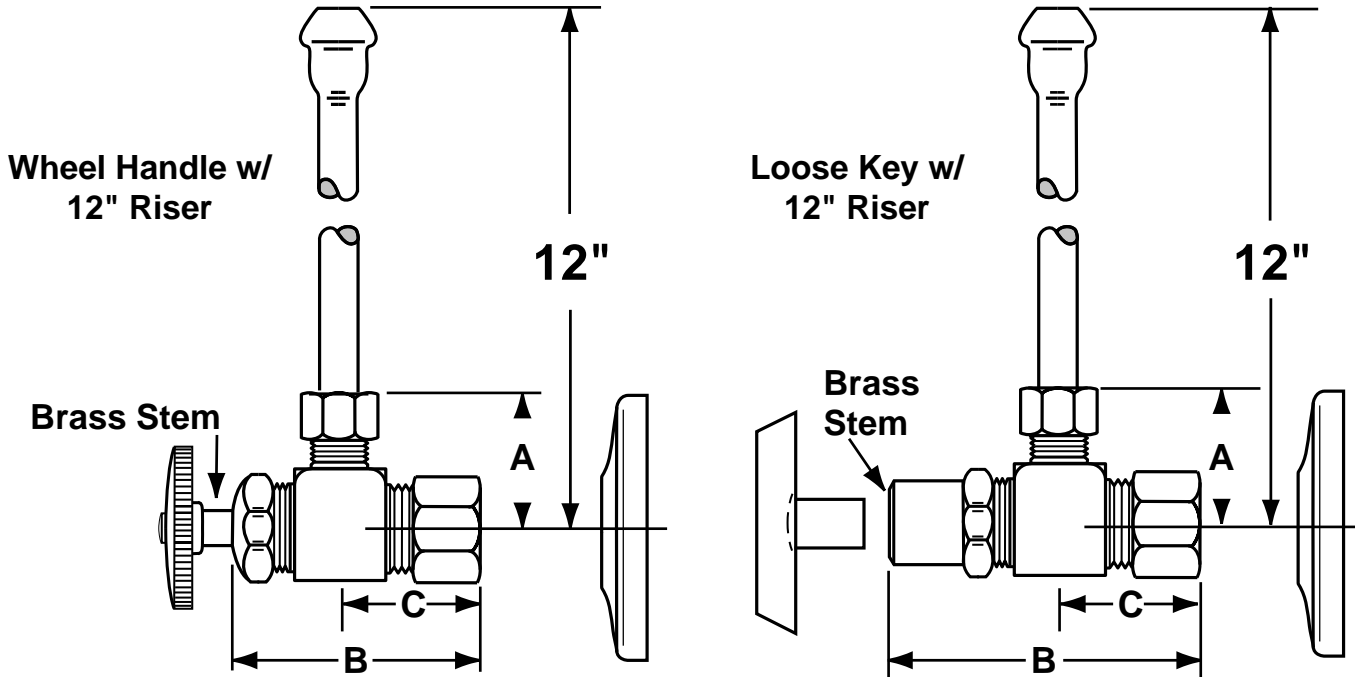
H2165CC, H2165CCLK,
 H2167CC, H2167CCLK

Heavy Lavatory Supply
 1/2" Nominal X O.D.

Product Specification

Job Name: _____

Submittal Number: _____



NO.	ROUGHING MEASUREMENTS	A	B	C
H2165CC	1/2" Nominal x 3/8" O.D.	1-3/8"	2-1/4"	1-3/8"
H2165CCLK	1/2" Nominal x 3/8" O.D.	1-3/8"	2-3/4"	1-3/8"
H2167CC	1/2" Nominal x 1/2" O.D.	1-1/2"	2-1/4"	1-3/8"
H2167CCLK	1/2" Nominal x 1/2" O.D.	1-1/2"	2-3/4"	1-3/8"

LK designates *Loose Key*



See options and accessories section for details on product variations.

Specifications:

Supply kit shall include heavy pattern chrome plated brass stops with full turn brass stem, no plastic, (12, 15, 20) inch chrome plated copper risers and (shallow, deep, bell) (steel, brass) or (forged brass with set screw) flange. Inlet shall be (3/8, 1/2) inch (IPS, sweat, compression). Outlet shall be (3/8, 1/2) inch (IPS, compression). Supply kit shall be McGuire _____ . Supply kit shall be certified by CSA or other recognized testing authority and bear manufacturer and testing mark. Stop to be certified to 200 psi line pressure.